

MACH TYPE	M SERIAL C	SYST NUMBER	SYSTEM TYPE	F/E B/O	W/T CTY	CUST NUMBER	MD CD	MICRO TPC-CD	BOX SHIP	MACHINE SHIP	PLT MFG	PLT CTL	MACHINE STATUS
4381	0011647	4380	0000JYP	0418		5126913			84/09/28		END.	END.	FACTORY

BASIC ECA.EC FACTORY EC SALES MOD PLANT ORDER HARD CARD  
 000. MO2 710XYK 001

MACHINE DEVICE/RPQ CONFIGURATION

DH DEVICE/RPQ	QTY	STATUS	DH DEVICE/RPQ	QTY	STATUS
9514	1	FACTORY INST	9903	1	FACTORY INST

STANDARD FEATURE SECTION

ECA	FIELD	FACTORY	FEATURE	BM	FTR-ASN	FEATURE NAME	STATUS	MES-NO	STAT	DATE
000	A02100			0401429		CBE GP 4/8/16MB 1 SC	FACT INST			
000	331565	A10167		1806744		NAME PLATE MOD 2	FACT INST			
017	336081	A02110		1806843		BASIC FEAT	FACT INST			
041	A12948	A06312		1806857		60HZ BASIC	FACT INST			
000	A06501	784247		1806874		CARD/BOARD B/M	FACT INST			
000	A06561	A06555		1806877		MEM BRD 1ST SRC	FACT INST			
000	A06486	A02295		1806879		1ST SRC CD ST 4 MEG	FACT INST			
000	336130	A02295		1806880		1ST SRC CD ST ADD	FACT INST			
015	A02106	A20145		1806885		RSF INT US ONLY	FACT INST			
039	A20436	866899		1954290		FUNCTION 1 DISK	FACT INST			
022	866902	866899		1954291		FUNCTION 2 DISK	FACT INST			
022	866902	866899		1954292		DIAGNOSTIC 1 DISK	FACT INST			
049	A02220	A02214		2676390		DOC GRP OPTO	FACT INST			
051	A06437			4144994		112K CTRK STOR K/C/A	FACT INST			
049	A02220	A20438A		4473536		COM LOG B/M	FACT INST			
049	A02220			4473538		SCR 1 MEMORY DOC	FACT INST			
049	A02220	A02214		4473539		U-CODE DOC	FACT INST			
018	331498	331496		5665880		POWER LOG BASIC	FACT INST			
018	331498	331496		5665881		DOC GROUP UNIQUE	FACT INST			
000	A06427	331496		5665883		PWR LOG 1ST SCR STOR	FACT INST			
000	992996			7323832		PKGING GRP VAN	FACT INST			
000	988688	A12959		8644913		60HZ 4.2 208/240V	FACT INST			
029	A12957	339136		8644927		DIAG PNL GRP ENGLISH	FACT INST			
000	988688			8644957		60HZ-208V	FACT INST			
000	336077	A06435		8644967		MAINTENANCE GROUP	FACT INST			
000	A06561	A06560		8644990		MOD GRP MOD 2	FACT INST			
023	A06324	A09798		8644997		NO ADDTNL 6 CH	FACT INST			
000	A02183			8645011		COVER GRP BLUE	FACT INST			
037	988761	A02160		8645016		END COVER GP	FACT INST			
000	988688	A06660		8645054		1ST SCR PWR GRP	FACT INST			
000	988688	A12953		8645517		SAFETY LABEL ENGLISH	FACT INST			
000	A06239	336146		8645780		FEAT B/M	FACT INST			
009	A09843			8645841		NO CH TO CH	FACT INST			
000	785286Y			8715793		VENDOR B/M	FACT INST			

ECA HISTORY SECTION

N/A = ECA NOT ASSIGNED EC PROD PRAC LEVEL = 0224 (MRS)

ECA	EC NO	ECA STATUS	FLO B/M	EIT	QTY	FCSI	DATE
001	A06310	INSTALLED					
002	A02215	INSTALLED					
003	866901	INSTALLED					
004	A02192	INSTALLED					
005	A06481	INSTALLED					
006	A06314	INSTALLED					
007	331497	INSTALLED					
009	A09843	INSTALLED					
010	A02216	INSTALLED					
011	A06300	INSTALLED					
012	A10065	INSTALLED					
013	A06323	INSTALLED					
014	A09842	INSTALLED					
015	A02106	INSTALLED					
016	A06321	INSTALLED					
017	336081	INSTALLED					
018	331498	INSTALLED					
019	A10072	INSTALLED					
020	A02217	INSTALLED					
021	A02218	INSTALLED					
022	866902	INSTALLED					
023	A06324	INSTALLED					
024	A02219	INSTALLED					
025	A09844	INSTALLED					
027	A06439	NOT REQUIRED					
028	A06440	NOT REQUIRED					
029	A12957	INSTALLED					
030	A06438	NOT REQUIRED					
031	A12968	NOT REQUIRED					
032	A09873	NOT REQUIRED					
033	A06442	NOT REQUIRED					
034	A09872	NOT REQUIRED					
035	A06554	INSTALLED					
036	A09874	NOT REQUIRED					
038	A02290	INSTALLED					
039	A20436	INSTALLED					

ECA	EC#	DATE	NAME
061	331499	2/4/85	JA
056	855718B	2/5/85	JA
069	A26345	3/1/85	JA
075	A02222	4/1/85	—
083	866904	4/19/86	
101	A32131	4/19/86	

Not on machine 4/19/86

MACH TYPE	M C	SERIAL NUMBER	SYST TYPE	SYSTEM NUMBER	F/E B/O	W/T CTY	CUST NUMBER	MD CD	MICRO TPC-CD	BOX SHIP	MACHINE SHIP	PLT MFG	PLT CTL	MACHINE STATUS
4381		0011647	4380	0000JYP	0418		5126913			84/09/28		END.	END.	FACTORY

ECA HISTORY SECTION

N/A = ECA NOT ASSIGNED EC PROD PRAC LEVEL = 0224 (MRS)

ECA	EC NO	ECA STATUS	FLD B/M	EIT	QTY	FCSI	DATE
040	A06556	INSTALLED					
041	A12948	INSTALLED					
042	A09797	INSTALLED					
043	A10062	TO BE ADDED					
044	A06434	NOT REQUIRED					
045	A20439	NOT REQUIRED					
046	A09876	NOT REQUIRED					
047	A06557	INSTALLED					
048	A06559	INSTALLED					
049	A02220	INSTALLED					
050	A20148	NOT REQUIRED					
051	A06437	INSTALLED					
N/A	A02052	INSTALLED					
N/A	A06239	INSTALLED					
N/A	A06240	INSTALLED					
N/A	A06241	INSTALLED					
N/A	A06246	INSTALLED					
N/A	A06429	NOT REQUIRED					
N/A	A06486	INSTALLED					
N/A	A06491	INSTALLED					
N/A	A06501	INSTALLED					
N/A	A06561	INSTALLED					
N/A	A06563	TO BE ADDED					
N/A	A06653	NOT REQUIRED					
N/A	A10063	NOT REQUIRED					
N/A	A10158	INSTALLED					
N/A	A13069	NOT REQUIRED					
N/A	A20136	NOT REQUIRED					
N/A	A20417	TO BE ADDED					
N/A	A20441	NOT REQUIRED					
N/A	331499	TO BE ADDED					
N/A	331500	NOT REQUIRED					
N/A	336030	INSTALLED					
N/A	336080	NOT REQUIRED					
N/A	379917	INSTALLED					
N/A	866900	INSTALLED					

INSTALLED REA\*S

ECA	EC NO	REA#	AFFECTS BASIC	AFFECTS BM NO
		0157170	NO	2676390
		0157170	NO	4473536
		0157170	NO	4473539
		0154065	NO	1954290
		0154065	NO	1954291
		0154065	NO	1954292
		0154066	NO	1954290
		0154066	NO	1954291
		0154066	NO	1954292
		0154067	NO	1954290
		0154067	NO	1954291
		0154067	NO	1954292
		0157539	NO	4473536

VOLUME C01 MACHINE 4381- -0011647 MODEL M02 SYSTEM 0000JYP MODE SCHED SHIP 00/00/00

LOGIC TYPE -0- SYSTEMS DIAGRAMS DCC COUNTER

PAGE NUM	SH	TITLE	PART NUM	EC NUM	FEATURE B/M OR B/MS
A1000		UNIV PLUG CHART	0000400123	A06554	.W. 0008644990
A1001		PLUG LIST 01AB2 BRD	0004142817	A06561	.W. 0008644990
A1002		PLUG LIST 01AA1 BRD	0004142818	A06547	.W. 0001806877
A1003		PLUG LIST 01AA2 BRD	0004142819	A06559	.W. 0001806877
A1004		PLUG LIST 01AA3 BRD	0004142820	A06556	.W. 0001806877
A1005		PLUG LIST 01AA4 BRD	0004142821	A06561	.W. 0001806877
CBL LST		CABLE PLUG LIST	0008645431	A09844	.W. 0004473536
PARTS CAT		PRT CAT S124-01531	0004473545	A20435	.W. 0004473536
SN24-0989		TNL	0005565914	A20438A	.W. 0004473536
YA011		CPYRT & SYMBOL USE	0005665810	331496	.W. 0005665880
YA021		SYMBOL USE & ABBREV	0005665811	331496	.W. 0005665880
YA031AA		FRU LIST & CONN LOC	0005665812	331498	.W. 0005665881
YA081		VOLT CGNV & PAD CRD	0005665814	331498	.W. 0005665880
YA091AA		PAD CRD & TIE UP CRD	0005665815	331496	.W. 0005665881
YA151AA		BLNK PAGE & PCC DIST	0005665816	331498	.W. 0005665881
YA161		PCC DIST & CONV OUT	0005665817	331498	.W. 0005665880
YA181		BLNK PAGE & PS101	0005665818	331496	.W. 0005665880
YA191		PS101 & PS102	0005665819	331496	.W. 0005665880
YA201AA		PS102 & PS103	0005665820	331496	.W. 0005665881
YA211AA		PS103 & PS104	0005665821	331498	.W. 0005665881
YA221AA		PS104 & PS105/PS106	0005665822	331498	.W. 0005665881
YA231AA		PS105 & PS106/PS107	0005665823	331496	.W. 0005665881
YA241AC		PS108 & PS109	0005665824	331496	.W. 0005665883
YA271AA		BLNK PAGE & A-A2 BRD	0005665825	331496	.W. 0005665881
YA281		A-A1 BRD & SERV PNL	0005665826	331496	.W. 0005665880
YA291		SERV PNL & PCI	0005665827	331496	.W. 0005665880
YA301		OCP & AFS/AMD	0005665828	331496	.W. 0005665880
YA311AA		AFS/AMD	0005665829	331496	.W. 0005665881
ZA011AA		GROUNDING DIAGRAMS	0005665830	331498	.W. 0005665881
ZA021AA		GROUNDING DIAGRAMS	0005665831	331498	.W. 0005665881

TOTAL PART NUMBERS THIS VOLUME 30

INSTRUCTIONS FOR HOW TO USE AND READ PLUG LIST

TO DETERMINE BOARD OR CARD PART NUMBERS FOR A SPECIFIC LOCATION DO THE FOLLOWING:

1. REFER TO THE MACHINE INDIVIDUAL TABLE OF CONTENTS LISTING (ITC), VOLUME 300, LOCATED IN VOLUME C01

THE FOLLOWING IS A SAMPLE OF THE ITC VOLUME 300:

REQUESTED BY DSG		INDIVIDUAL TABLE OF CONTENTS				
VOLUME 300 MACHINE 4381 - - 0011489		MODEL L01	SYSTEM 0006485	MODE		
LOGIC TYPE - 0 - SYSTEMS DIAGRAMS						
PAGE NUM	SH	TITLE	PART NUM	EC NUM	FEATURE B/M OR B/MS	
01AA1		BOARD ASM	0000000000	387134	.W. 0005896664	
01AA1B2		CARD	0000000000	387131	.W. 0001310240	
01AA1B2		CARD	0000000000		.W. 0001310240	
REA					0150087	
01AA1C2		CARD	0000000000	387133	.W. 0001310240	

PAGE NUM = PLUG LOCATION OF THE ITEM

(NOTE:IF THE WORD REA APPEARS, THE NUMBER ON THAT LINE ON THE RIGHT SIDE OF THE PAGE IS THE EC NUMB FOR THE LINE IMMEDIATELY PRECEEDING.)

TITLE = NAME OF THE ITEM IN PLUG LOCATION (BOARD OR CARD)

PART NUM = DISREGARD

EC NUM = EC NUMBER OF THE PART IN THE LOCATION INDICATED

THIS FIELD MAY BE BLANK. IF BLANK THE EC NUM IS FOUND ON THE LINE IMMEDIATELY FOLLOWING WHICH STATES 'REA' IN THE PAGE NUM FIELD AND THE NUMBER ON THAT LINE, ON THE RIGHT SIDE OF PAGE, IS THE EC NUM FOR THE PRECEEDING LINE.

FEATURE B/M = THE FEATURE ASSOCIATED WITH THE LOCATION INDICATED.

2. WITHIN THE ITC LISTING FIND THE DESIRED BOARD OR CARD LOCATION IN PART NUM FIELD.
3. COPY THE LOCATION, EC NUM AND THE FEATURE B/M.
4. NOW THAT YOU HAVE THE NUMBERS FROM STEP 3, REFER TO THE UNIVERSAL PLUG CHART FOR THE DESIRED BOARD.

THE FOLLOWING IS A SAMPLE OF A UNIVERSAL PLUG CHART:

LPA1001		4381MG1	4381MG2	UNIVERSAL PLUG CHART 01A A1		PAGE 1 OF 2	LPA1001
REFER TO LOGIC PAGE A1000 FOR INSTRUCTION ON USING THIS LIST							
IITEM	IEC LEVEL	IFEATURE NUMBER	ONIPART NUMBER	IPART NUMBER	IWHEN YOU USE AN	I	
ILOC	ION THE	ITHE MACHINE LIST	IIN MACHINE	IWHICH MAY BE	IEQUIVALENT	ITEM IN	I
I	IMACHINE	I (ITC) AND BRIEF	IFOR THE	IUSED INSTEAD	IPLACE OF ONE	IN THE	I
I	IHISTORY	IDESCRPTION OF	IDETERMINED	IOF PART IN THE	IMACHINE,	CHANGE EC	I
I	ILIST-ITC	ITHE FEATURE	IEC LEVEL	IMACHINE	ILEVEL ON THE	ITC	I
I	I	I	I	I (EQUIVALENT)	ILISTING TO:	I	I
I B2	I 853713	I 1310240-ALL MG1	I 8281159	I 8281162	I 156100		I
I	I 156100	I 1310240-ALL MG1	I 8281162	INO EQUIVALENT	I	-----	I
I	I 784217	I 5578458-ALL MG2	I 8281162	INO EQUIVALENT	I	-----	I

5. FIND THE LOCATION ASSOCIATED WITH THE NUMBERS YOU HAVE FROM STEP 3.
6. FOR THIS LOCATION MATCH THE EC LEVEL AND THE FEATURE B/M NUMBER.
7. ON THAT LINE, IN THE PART NUMBER FIELD YOU WILL FIND THE PART NUMBER IN THIS LOCATION.
8. ON THAT LINE, IN THE EQUIVALENT PART NUMBER FIELD YOU WILL FIND THE PART NUMBER THAT CAN BE USED IF PART NUMBER IN THE PART NUMBER FIELD IS NOT AVAILABLE.
9. IF AN EQUIVALENT PART NUMBER IS USED YOU MUST RECORD, IN THE EC NUM FIELD OF THE ITC, THE EC LEVEL FOUND IN COLUMN ON THAT LINE.

I-COMMENTS							
A	INOTE 1:COPYRIGHT	I LIST PN 0400123	I	I PLUG LIST	I	A	
1	IIBM CORP. 1982	I PLUG	I	I INSTRUCTION	I	1	
0	I	I LIST	I	I PAGE	I	0	
0	I	I E.C. HISTORY	I	I	I	0	
0	I	I 379931 - 30SEP83	I	I	I	0	
PAGE 1 OF 1	I	I A06554 - 02MAR84	I	I	I	PAGE 1 OF 1	

ITEM LOC	EC LEVEL ON THE MACHINE HISTORY LIST-ITC	FEATURE NUMBER ON THE MACHINE LIST (ITC) AND BRIEF DESCRIPTION OF THE FEATURE	PART NUMBER IN MACHINE FOR THE DETERMINED EC LEVEL	PART NUMBER WHICH MAY BE USED INSTEAD OF PART IN THE MACHINE (EQUIVALENT)	WHEN YOU USE AN EQUIVALENT ITEM IN PLACE OF ONE IN THE MACHINE, CHANGE EC LEVEL ON THE ITC LISTING TO:
B2 BOARD	379897 A06239	8645780-ALL MACHS 8645780-ALL MACHS	4143045 4143107	4143107 NO EQUIVALENT	A06239 -----
DA	379918 379918	8644990-ALL MACHS 8645099-ALL MACHS	0400110 0400110	NO EQUIVALENT NO EQUIVALENT	----- -----
DE	A06241 A10157 A06483	8644990-ALL MACH 8644990-ALL MACH 8645099-ALL MACH	4143109 4143118 4143118	4143118 NO EQUIVALENT NO EQUIVALENT	A10157 ----- -----
DJ	A06481 A25977 A13063 A20420 A13064	4144994-112K MACH 4144994-112K MACH 4144994-112K MACH 4144993-ALL MACH 4144993-ALL MACH	4143116 4143096 4143048 4144096 4143048	4143096 4143048 NO EQUIVALENT 4143048 NO EQUIVALENT	A25977 A13063 ----- A13064 -----
DN	A06481 A25977 A13063 A20420 A13064	4144994-112K MACH 4144994-112K MACH 4144994-112K MACH 4144993-ALL MACH 4144993-ALL MACH	4143116 4143096 4143048 4143096 4143048	4143096 4143048 NO EQUIVALENT 4143048 NO EQUIVALENT	A25977 A13063 ----- A13064 -----
DS	379938 A13056 379938 A13065	8644990-ALL MACH 8644990-ALL MACH 8645099-ALL MACH 8645099-ALL MACH	4143038 4143049 4143038 4143049	4143049 NO EQUIVALENT 4143049 NO EQUIVALENT	A13056 ----- A13065 -----
HA	A02291 A06246 A13059 A06246 A13067	8644990-ALL MACH 8644990-ALL MACH 8644990-ALL MACH 8645099-ALL MACH 8645099-ALL MACH	4143104 4143114 4143052 4143114 4143052	4143114 4143052 NO EQUIVALENT 4143052 NO EQUIVALENT	A06246 A13059 ----- A13067 -----
HE	379889 A13057 379889 A13066	8644990-ALL MACH 8644990-ALL MACH 8645099-ALL MACH 8645099-ALL MACH	0400083 4143127 0400083 4143127	4143127 NO EQUIVALENT 4143127 NO EQUIVALENT	A13057 ----- A13066 -----
HJ	379867D 379867D	8644990-ALL MACH 8645099-ALL MACH	0400043 0400043	NO EQUIVALENT NO EQUIVALENT	----- -----
HN	379923 0156624 A06254 A02294 A06550	8644990-ALL MACH 8644990-ALL MACH 8644990-ALL MACH 8645099-ALL MACH 8645099-ALL MACH	0400118 4143130 4143130 4143106 4143130	4143130 NO EQUIVALENT NO EQUIVALENT 4143130 NO EQUIVALENT	A06254 ----- ----- A06550 -----
HS	A06481 A25977 A13063 A20420 A13064	4144994-112K MACH 4144994-112K MACH 4144994-112K MACH 4144993-ALL MACH 4144993-ALL MACH	4143116 4143096 4143048 4143096 4143048	4143096 4143048 NO EQUIVALENT 4143048 NO EQUIVALENT	A25977 A13063 ----- A13064 -----
MA	336031 A13060 A02063 A13060	8644990-ALL MACH 8644990-ALL MACH 8645099-ALL MACH 8645099-ALL MACH	4143085 4143056 4143097 4143056	4143056 NO EQUIVALENT 4143056 NO EQUIVALENT	A13060 ----- A13060 -----

## COMMENTS

A 1 0 0 1	COPYRIGHT IBM CORP. 1982	PLUG LIST PN 4142817 PLUG LIST E.C. HISTORY A25986 - 05NOV84 A26345 - 26NOV84		CLARK BOARD 01A B2 PLUG LIST	A 1 0 0 1
-----------------------	-----------------------------	--	--	---------------------------------------	-----------------------

ITEM LOC	EC LEVEL ON THE MACHINE HISTORY LIST-ITC	FEATURE NUMBER ON THE MACHINE LIST (ITC) AND BRIEF DESCRIPTION OF THE FEATURE	PART NUMBER IN MACHINE FOR THE DETERMINED EC LEVEL	PART NUMBER WHICH MAY BE USED INSTEAD OF PART IN THE MACHINE (EQUIVALENT)	WHEN YOU USE AN EQUIVALENT ITEM IN PLACE OF ONE IN THE MACHINE, CHANGE EC LEVEL ON THE ITC LISTING TO:
ME	336031 A13060 A02063 A13060	8644990-ALL MACH 8644990-ALL MACH 8645099-ALL MACH 8645099-ALL MACH	4143085 4143056 4143097 4143056	4143056 NO EQUIVALENT 4143056 NO EQUIVALENT	A13060 ----- A13060 -----
MJ	A02049 A13058 A06498 0156621 A13078 A13058	8644990-ALL MACH 8644990-ALL MACH 8645099-ALL MACH 8645099-ALL MACH 8645099-ALL MACH 8645099-ALL MACH	4143090 4143129 4143124 4143141 4143141 4143129	4143129 NO EQUIVALENT 4143141 4143129 4143129 NO EQUIVALENT	A13058 ----- A13078 A13058 A13058 -----
MN	379922 A06253 A02293	8644990-ALL MACH 8644990-ALL MACH 8645099-ALL MACH	0400116 4143105 4143105	4143105 NO EQUIVALENT NO EQUIVALENT	A06253 ----- -----
MS	A06481 A25977 A13063 A20420 A13064	4144994-112K MACH 4144994-112K MACH 4144994-112K MACH 4144993-ALL MACH 4144993-ALL MACH	4143116 4143096 4143048 4143096 4143048	4143096 4143048 NO EQUIVALENT 4143048 NO EQUIVALENT	A25977 A13063 ----- A13064 -----
RA	336031 A13060 A02063 A13060	8644990-ALL MACH 8644990-ALL MACH 8645099-ALL MACH 8645099-ALL MACH	4143085 4143056 4143097 4143056	4143056 NO EQUIVALENT 4143056 NO EQUIVALENT	A13060 ----- A13060 -----
RE	336031 A13060 A02063 A13060	8644990-ALL MACH 8644990-ALL MACH 8645099-ALL MACH 8645099-ALL MACH	4143085 4143056 4143097 4143056	4143056 NO EQUIVALENT 4143056 NO EQUIVALENT	A13060 ----- A13060 -----
RJ	379917 A06255 0156626 A13102 0156627 0156631 A20415	8644990-ALL MACH 8644990-ALL MACH 8645099-ALL MACH 8645099-ALL MACH 8645099-ALL MACH 8645099-ALL MACH 8645099-ALL MACH	0400108 4143163 4143153 4143153 4143156 4143163 4143163	4143163 NO EQUIVALENT 4143156 4143156 4143163 NO EQUIVALENT NO EQUIVALENT	A06255 ----- 0156627 0156627 A20415 ----- -----
RN	379884 379932 379932	8644990-ALL MACH 8644990-ALL MACH 8645099-ALL MACH	0400078 0400124 0400124	NO EQUIVALENT NO EQUIVALENT NO EQUIVALENT	----- ----- -----
RS	A02047 A06240 A13061 A06240 A13068	8644990-ALL MACH 8644990-ALL MACH 8644990-ALL MACH 8645099-ALL MACH 8645099-ALL MACH	4143088 4143108 4143115 4143108 4143115	4143108 4143115 NO EQUIVALENT 4143115 NO EQUIVALENT	A06240 A13061 ----- A13068 -----
VE	336030 A02053 0156623 A13062 0156625 A20416 784243 A13062	8644990-ALL MACH 8644990-ALL MACH 8644990-ALL MACH 8644990-ALL MACH 8645099-ALL MACH 8645099-ALL MACH 8645099-ALL MACH 8645099-ALL MACH	4143084 4143094 4141364 4143159 4143155 4143155 4143164 4143164 4143159	4143094 4143164 4143159 NO EQUIVALENT 4143164 4143164 4143159 NO EQUIVALENT	A02053 0156623 A13062 ----- 784243 784243 A13062 -----
VN	A02047 A06240 A13061	8645058-ALL MACH 8645058-ALL MACH 8645058-ALL MACH	4143088 4143108 4143115	4143108 4143115 NO EQUIVALENT	A06240 A13061 -----

## COMMENTS

A 1 0 0 1	COPYRIGHT IBM CORP. 1982	PLUG LIST PN 4142817 PLUG LIST E.C. HISTORY A25986 - 05NOV84 A26345 - 26NOV84	CLARK BOARD 01A B2 PLUG LIST	A 1 0 0 1
-----------------------	-----------------------------	--	---------------------------------------	-----------------------

I	I	I	I	I	I	I	I
ITEM	IEC LEVEL	IFEATURE NUMBER	ONIPART NUMBER	IPART NUMBER	IWHEN YOU USE AN	I	I
ILOC	ION THE	ITHE MACHINE LIST	IIN MACHINE	IWHICH MAY BE	IEQUIVALENT ITEM IN	I	I
I	IMACHINE	I (ITC) AND BRIEF	IFOR THE	IUSED INSTEAD	IPLACE OF ONE IN THE	I	I
I	IHISTORY	IDescription OF	IDETERMINED	IOF PART IN THE	IMACHINE, CHANGE EC	I	I
I	ILIST-ITC	ITHE FEATURE	IEC LEVEL	IMACHINE	ILEVEL ON THE ITC	I	I
I	I	I	I	I (EQUIVALENT)	ILISTING TO:	I	I
I A1	I 0156594	I1806877-ALL MACH	I 4143071	INO EQUIVALENT	I	I	I
I BOARD	I 0156600	I1806877-ALL MACH	I 4143081	INO EQUIVALENT	I	I	I
I	I 0156606	I1806877-ALL MACH	I 4143098	INO EQUIVALENT	I	I	I
I	I 337666	I1806877-ALL MACH	I 4143098	INO EQUIVALENT	I	I	I
I	I 0156594	I1806878-ALL MACH	I 4143071	INO EQUIVALENT	I	I	I
I	I 0156600	I1806878-ALL MACH	I 4143081	INO EQUIVALENT	I	I	I
I	I 0156606	I1806878-ALL MACH	I 4143098	INO EQUIVALENT	I	I	I
I	I 337666	I1806878-ALL MACH	I 4143098	INO EQUIVALENT	I	I	I
I B2	I 0154903	I4143547-CTC ONLY	I 4143043	INO EQUIVALENT	I	I	I
I	I 379937	I4143547-CTC ONLY	I 4143043	INO EQUIVALENT	I	I	I
I C2	I 0154903	I4143547-CTC ONLY	I 4143043	INO EQUIVALENT	I	I	I
I	I 379937	I4143547-CTC ONLY	I 4143043	INO EQUIVALENT	I	I	I
I U2	I 337683	I1806874-ALL MACH	I 0400085	INO EQUIVALENT	I	I	I
I V2	I 337683	I1806874-ALL MACH	I 0400079	I 0400103	I 379913	I	I
I	I 379913	I1806874-ALL MACH	I 0400103	INO EQUIVALENT	I	I	I
I W2	I 337683	I1806874-ALL MACH	I 0174868	INO EQUIVALENT	I	I	I

I-COMMENTS							
A	ICOPYRIGHT IBM	I LIST P/N 4142818	I	I MSS2	I	A	
1	ICORP. 1982	I PLUG	I	I BOARD 01A A1	I	1	
0	I	I LIST	I	I PLUG	I	0	
0	I	I E.C. HISTORY	I	I LIST	I	0	
2	I	I A02064 - 15APR83	I	I	I	2	
PAGE 1 OF 1		I A06547 - 15SEP83	I	I		PAGE 1 OF 1	

I	I	I	I	I	I	I	I
ITEM	IEC LEVEL	IFEATURE NUMBER	ONIPART NUMBER	IPART NUMBER	IWHEN YOU USE AN	I	I
ILOC	ION THE	ITHE MACHINE LIST	IIN MACHINE	IWHICH MAY BE	IEQUIVALENT ITEM IN	I	I
I	IMACHINE	I (ITC) AND BRIEF	IFOR THE	IUSED INSTEAD	IPLACE OF ONE IN THE	I	I
I	IHISTORY	IDescription OF	IDETERMINED	IOF PART IN THE	IMACHINE, CHANGE EC	I	I
I	ILIST-ITC	ITHE FEATURE	IEC LEVEL	IMACHINE	ILEVEL ON THE ITC	I	I
I	I	I	I	I (EQUIVALENT)	ILISTING TO:	I	I
I A2	I 0156607	I1806877-ALL MACH	I 4143099	I 4143128	I A10158	I	I
I BOARD	I 337664	I1806877-ALL MACH	I 4143099	I 4143128	I A10158	I	I
I	I 0156615	I1806877-ALL MACH	I 4143128	I 4143157	I A20417	I	I
I	I A10158	I1806877-ALL MACH	I 4143128	I 4143157	I A20417	I	I
I	I 0156629	I1806877-ALL MACH	I 4143157	INO EQUIVALENT	I	I	I
I	I A20417	I1806877-ALL MACH	I 4143157	INO EQUIVALENT	I	I	I
I	I 0156607	I1806878-ALL MACH	I 4143099	I 4143128	I A10158	I	I
I	I 337664	I1806878-ALL MACH	I 4143099	I 4143128	I A10158	I	I
I	I 0156615	I1806878-ALL MACH	I 4143128	I 4143157	I A20417	I	I
I	I A10158	I1806878-ALL MACH	I 4143128	I 4143157	I A20417	I	I
I	I 0156629	I1806878-ALL MACH	I 4143157	INO EQUIVALENT	I	I	I
I	I A20417	I1806878-ALL MACH	I 4143157	INO EQUIVALENT	I	I	I
I B3	I 330247	I1806744-4381002	I 0174868	INO EQUIVALENT	I	I	I
I	I 330247	I0401463-4381001	I 0174868	INO EQUIVALENT	I	I	I
I C2	I 337683	I1806874-ALL MACH	I 0174878	I 4143102	I A02048	I	I
I	I A02048	I1806874-ALL MACH	I 4143102	INO EQUIVALENT	I	I	I
I C4	I 337683	I1806874-ALL MACH	I 0174878	I 4143102	I A02048	I	I
I	I A02048	I1806874-ALL MACH	I 4143102	INO EQUIVALENT	I	I	I
I D2	I 337683	I1806874-ALL MACH	I 8562681	INO EQUIVALENT	I	I	I
I E2	I 337683	I1806874-ALL MACH	I 8562681	INO EQUIVALENT	I	I	I
I F2	I 337683	I1806874-ALL MACH	I 8562695	INO EQUIVALENT	I	I	I
I F4	I 337683	I1806874-ALL MACH	I 4109661	I 0400090	I 988830	I	I
I	I 988830	I1806874-ALL MACH	I 0400090	INO EQUIVALENT	I	I	I
I G4	I 337683	I1806874-ALL MACH	I 0174990	INO EQUIVALENT	I	I	I
I	I 379929	I1806874-ALL MACH	I 0174991	INO EQUIVALENT	I	I	I
I	I A02290	I1806874-ALL MACH	I 4142831	INO EQUIVALENT	I	I	I

I-COMMENTS							
A	ICOPYRIGHT	IBMI LIST P/N 4142819	I	I MSS1	I	A	
1	ICORP. 1982	I PLUG	I	I BOARD 01A A2	I	1	
0	I	I LIST	I	I PLUG	I	0	
0	I	I E.C. HISTORY	I	I LIST	I	0	
3	I	I A06556 - 16MAY84	I	I	I	3	
PAGE 1 OF 3		I A06559 - 12JUL84	I	I		PAGE 1 OF 3	



ITEM	IEC LEVEL	IFEATURE NUMBER	ONIPART NUMBER	IPART NUMBER	IWHEN YOU USE AN	I
ILOC	ION THE	ITHE MACHINE LIST	IIN MACHINE	IWHICH MAY BE	IEQUIVALENT ITEM IN	I
I	IMACHINE	I (ITC) AND BRIEF	IFOR THE	IUSED INSTEAD	IPLACE OF ONE IN THE	I
I	IHISTORY	IDESCRPTION OF	IDETERMINED	IOF PART IN THE	IMACHINE, CHANGE EC	I
I	ILIST-ITC	ITHE FEATURE	IEC LEVEL	IMACHINE	ILEVEL ON THE ITC	I
I	I	I	I	I (EQUIVALENT)	ILISTING TO:	I
I H2	I 337683	I1806874-ALL MACH	I 0174984	I 4143072	I 337670	I
I	I 337670	I1806874-ALL MACH	I 4143072	INO EQUIVALENT	I	I
I	I A02052	I1806874-ALL MACH	I 4143092	INO EQUIVALENT	I	I
I J2	I 337683	I1806874-ALL MACH	I 6028789	INO EQUIVALENT	I	I
I K2	I 337683	I1806874-ALL MACH	I 6028784	I 6235737	I 379935	I
I	I 379935	I1806874-ALL MACH	I 6235737	INO EQUIVALENT	I	I
I L2	I 337683	I1806874-ALL MACH	I 6028784	I 6235737	I 379935	I
I	I 379935	I1806874-ALL MACH	I 6235737	INO EQUIVALENT	I	I
I M2	I SPARE	I	I	I	I	I
I N2	I SPARE	I	I	I	I	I
I P2	I A06248	I1806885-INTERMOD	I 8526485	INO EQUIVALENT	I	I
I	I A06248	I1806887-INTERMOD	I 8526485	INO EQUIVALENT	I	I
I	I A06248	I4143540-INTERMOD	I 8526485	INO EQUIVALENT	I	I
I	I A06248	I4143541-INTERMOD	I 8526485	INO EQUIVALENT	I	I
I	I A06248	I4143542-INTERMOD	I 8526485	INO EQUIVALENT	I	I
I	I A06248	I4143543-EXTERMOD	I 8526485	INO EQUIVALENT	I	I
I	I A06248	I4143544-EXTERMOD	I 8526485	INO EQUIVALENT	I	I
I Q2	I 337683	I1806874-ALL MACHSI	I 5699968	INO EQUIVALENT	I	I
I Q4	I A06248	I1806885-INTERMOD	I 8564508	INO EQUIVALENT	I	I
I	I A06248	I1806887-INTERMOD	I 8564508	INO EQUIVALENT	I	I
I	I A06248	I4143540-INTERMOD	I 5167246	INO EQUIVALENT	I	I
I	I A06248	I4143541-INTERMOD	I 5688021	INO EQUIVALENT	I	I
I	I A06248	I4143542-INTERMOD	I 5167246	INO EQUIVALENT	I	I
I	I A06248	I4143543-EXTERMOD	I 5864668	INO EQUIVALENT	I	I
I	I A06248	I4143544-EXTERMOD	I 5864668	INO EQUIVALENT	I	I

ITEM	IEC LEVEL	IFEATURE NUMBER	ONIPART NUMBER	IPART NUMBER	IWHEN YOU USE AN
ILOC	ION THE	ITHE MACHINE LIST	IIN MACHINE	IWHICH MAY BE	IEQUIVALENT ITEM IN
I	IMACHINE	I (ITC) AND BRIEF	IFOR THE	IUSED INSTEAD	IPLACE OF ONE IN THE
I	IHISTORY	IDESCRPTION OF	IDETERMINED	I	I
I	ILIST-ITC	ITHE FEATURE	IEC LEVEL	IMACHINE	I
I	I	I	I	I (EQUIVALENT)	ILISTING TO:
I R2	I 337683	I 1806874-ALL MACHSI	6016034	INO EQUIVALENT	I
I S2	I A13101	I 4143549-	I 8562756	INO EQUIVALENT	I
I	I A13101	I 4143553-	I 8562756	INO EQUIVALENT	I
I T2	I 337683	I 1806874-ALL MACHSI	8562756	INO EQUIVALENT	I
I U2	I 337683	I 1806874-ALL MACHSI	0174987	INO EQUIVALENT	I
I V2	I 337683	I 1806874-ALL MACHSI	1587906	INO EQUIVALENT	I
I W2	I 337683	I 1806874-ALL MACHSI	1590626	INO EQUIVALENT	I
I X2	I 337683	I 1806874-ALL MACHSI	1641198	INO EQUIVALENT	I

ITEM	IEC LEVEL	FEATURE	NUMBER	ONIPART NUMBER	IPART NUMBER	WHEN YOU USE AN
ILOC	ION THE	I THE MACHINE	LIST	IIN MACHINE	IWHICH MAY BE	IEQUIVALENT ITEM IN
I	IMACHINE	I (ITC) AND BRIEF	IFOR THE	IUSED INSTEAD	IPLACE OF ONE IN THE	I
I	IHISTORY	I DESCRIPTION OF	IDETERMINED	IOF PART IN THE	IMACHINE, CHANGE EC	I
I	ILIST-ITCI	THE FEATURE	IEC LEVEL	IMACHINE	ILEVEL ON THE ITC	I
I	I	I	I	I (EQUIVALENT)	ILISTING TO:	I
-----						
I A3	I 0156598I	1806877-ALL	MACHSI	4143077	INO EQUIVALENT	I ----- I
I BOARD	I 337671 I	1806877-ALL	MACHSI	4143077	INO EQUIVALENT	I ----- I
I	I 0154876I	8645870-ALL	MACHSI	4149997	INO EQUIVALENT	I ----- I
I	I 0156598I	1806878-ALL	MACHSI	4143077	INO EQUIVALENT	I ----- I
I	I 337671 I	1806878-ALL	MACHSI	4143077	INO EQUIVALENT	I ----- I
-----						
I B2	I SPARE	I	I	I	I	I
-----						
I C2	I SPARE	I	I	I	I	I
-----						
I D2	I SPARE	I	I	I	I	I
-----						
I E2	I 0154885I	1806874-ALL	MACHSI	4494746	INO EQUIVALENT	I ----- I
I	I 379947 I	1806874-ALL	MACHSI	4494746	INO EQUIVALENT	I ----- I
I	I 379936 I	1806874-ALL	MACHSI	0400113	I 4143122	I A06491 I
I	I 0156613I	1806874-ALL	MACHSI	4494760	I 4143122	I A06491 I
I	I A06491 I	1806874-ALL	MACHSI	4143122	I 4143125	I A06501 I
I	I A06501 I	1806874-ALL	MACHSI	4143125	INO EQUIVALENT	I ----- I
-----						
I F2	I 0154885I	1806874-ALL	MACHSI	4494746	INO EQUIVALENT	I ----- I
I	I 379947 I	1806874-ALL	MACHSI	4494746	INO EQUIVALENT	I ----- I
I	I 379936 I	1806874-ALL	MACHSI	0400113	I 4143122	I A06491 I
I	I 0156613I	1806874-ALL	MACHSI	4494760	I 4143122	I A06491 I
I	I A06491 I	1806874-ALL	MACHSI	4143122	I 4143125	I A06501 I
I	I A06501 I	1806874-ALL	MACHSI	4143125	INO EQUIVALENT	I ----- I
-----						
I G2	I 0154885I	1806874-ALL	MACHSI	4494746	INO EQUIVALENT	I ----- I
I	I 379947 I	1806874-ALL	MACHSI	4494746	INO EQUIVALENT	I ----- I
I	I 379936 I	1806874-ALL	MACHSI	0400113	I 4143122	I A06491 I
I	I 0156613I	1806874-ALL	MACHSI	4494760	I 4143122	I A06491 I
I	I A06491 I	1806874-ALL	MACHSI	4143122	I 4143125	I A06501 I
I	I A06501 I	1806874-ALL	MACHSI	4143125	INO EQUIVALENT	I ----- I
-----						
I H2	I 0154885I	1806874-ANY	MACHSI	4494746	INO EQUIVALENT	I ----- I
I	I 379947 I	1806874-ALL	MACHSI	4494746	INO EQUIVALENT	I ----- I
I	I 379936 I	1806874-ANY	MACHSI	0400113	I 4143122	I A06491 I
I	I 0156613I	1806874-ALL	MACHSI	4494760	I 4143122	I A06491 I
I	I A06491 I	1806874-ALL	MACHSI	4143122	I 4143125	I A06501 I
I	I A06501 I	1806874-ALL	MACHSI	4143125	INO EQUIVALENT	I ----- I
-----						
I J2	I 0154885I	1806874-ANY	MACHSI	4494746	INO EQUIVALENT	I ----- I
I	I 379947 I	1806874-ALL	MACHSI	4494746	INO EQUIVALENT	I ----- I
I	I 379936 I	1806874-ANY	MACHSI	0400113	I 4143122	I A06491 I
I	I 0156613I	1806874-ALL	MACHSI	4494760	I 4143122	I A06491 I
I	I A06491 I	1806874-ALL	MACHSI	4143122	I 4143125	I A06501 I
I	I A06501 I	1806874-ALL	MACHSI	4143125	INO EQUIVALENT	I ----- I
-----						
I K2	I 0154885I	1806874-ANY	MACHSI	4494746	INO EQUIVALENT	I ----- I
I	I 379947 I	1806874-ALL	MACHSI	4494746	INO EQUIVALENT	I ----- I
I	I 379936 I	1806874-ANY	MACHSI	0400113	I 4143122	I A06491 I
I	I 0156613I	1806874-ALL	MACHSI	4494760	I 4143122	I A06491 I
I	I A06491 I	1806874-ALL	MACHSI	4143122	I 4143125	I A06501 I
I	I A06501 I	1806874-ALL	MACHSI	4143125	INO EQUIVALENT	I ----- I
-----						

-----I-COMMENTS-----						
A	ICOPYRIGHT	IBMI LIST P/N 4142820	I		I CHNL DRVR	I A
1	ICORP. 1982	I PLUG	I		I BOARD 01A A3	I 1
0	I	I LIST	I		I PLUG	I 0
0	I	I E.C. HISTORY	I		I LIST	I 0
4	I	I A06555 - 20MAR84	I		I	I 4
PAGE 1 OF 2		I A06556 - 16MAY84	I		I	PAGE 1 OF 2

ITEM	LOC	ION	IEC LEVEL	FEATURE	NUMBER	ONIPART NUMBER	IPART NUMBER	WHEN YOU USE AN	EQUIVALENT ITEM IN
		THE		(ITC) AND BRIEF				PLACE OF ONE IN THE	
		MACHINE		DESCRIPTION OF				MACHINE, CHANGE EC	
				THE FEATURE				LEVEL ON THE ITC	
								LISTING TO:	
I L2	I		I	1806874-ALL MACHSI	0400051	I	4494757	I	0156602
I	I		I	1806874-ALL MACHSI	4494757	I	4494759	I	0156608
I	I		I	1806874-ALL MACHSI	4494759	I	INO EQUIVALENT	I	-----
I	I		I	1806874-ALL MACHSI	4494759	I	INO EQUIVALENT	I	-----
I	I		I	1806874-4381002	0400105	I	INO EQUIVALENT	I	-----
I	I		I	0401463-4381001	0400105	I	INO EQUIVALENT	I	-----
I	I		I	1806744-4381002	0400105	I	INO EQUIVALENT	I	-----
I	I		I	4149996-ALL MACHSI	0400105	I	INO EQUIVALENT	I	-----
I L4	I		I	1806770-RPQ ONLY	0400067	I	INO EQUIVALENT	I	-----
I	I		I	1807996-RPQ ONLY	0400067	I	4143080	I	336025
I	I		I	1807996-RPQ ONLY	4143080	I	4143131	I	A10174
I	I		I	1807996-RPQ ONLY	4143131	I	INO EQUIVALENT	I	-----
I M2	I		I	4143530-RPQ ONLY	4143083	I	INO EQUIVALENT	I	-----
I N2	I		I	1806874-ALL MACHSI	0400053	I	INO EQUIVALENT	I	-----
I N4	I		I	1806844-ADD 6CHN	0400053	I	INO EQUIVALENT	I	-----
I P2	I		I	1806844-ADD 6CHN	4494746	I	INO EQUIVALENT	I	-----
I	I		I	1806844-ADD 6CHN	4494746	I	INO EQUIVALENT	I	-----
I	I		I	1806844-ADD 6CHN	0400113	I	4143122	I	A06491
I	I		I	1806844-ADD 6CHN	4494760	I	4143122	I	A06491
I	I		I	1806844-ADD 6CHN	4143122	I	4143125	I	A06501
I	I		I	1806844-ADD 6CHN	4143125	I	INO EQUIVALENT	I	-----
I	I		I	4141996-ADD 6CHN	0400113	I	4143122	I	A06491
I	I		I	4141996-ADD 6CHN	4143122	I	4143125	I	A06501
I	I		I	4141996-ADD 6CHN	4143125	I	INO EQUIVALENT	I	-----
I Q2	I		I	1806844-ADD 6CHN	4494746	I	INO EQUIVALENT	I	-----
I	I		I	1806844-ADD 6CHN	4494746	I	INO EQUIVALENT	I	-----
I	I		I	1806844-ADD 6CHN	0400113	I	4143122	I	A06491
I	I		I	1806844-ADD 6CHN	4494760	I	4143122	I	A06491
I	I		I	1806844-ADD 6CHN	4143122	I	4143125	I	A06501
I	I		I	1806844-ADD 6CHN	4143125	I	INO EQUIVALENT	I	-----
I	I		I	4141996-ADD 6CHN	0400113	I	4143122	I	A06491
I	I		I	4141996-ADD 6CHN	4143122	I	4143125	I	A06501
I	I		I	4141996-ADD 6CHN	4143125	I	INO EQUIVALENT	I	-----
I R2	I		I	1806844-ADD 6CHNLI	4494746	I	INO EQUIVALENT	I	-----
I	I		I	1806844-ADD 6CHN	4494746	I	INO EQUIVALENT	I	-----
I	I		I	1806844-ADD 6CHNLI	0400113	I	4143122	I	A06491
I	I		I	1806844-ADD 6CHN	4494760	I	4143122	I	A06491
I	I		I	1806844-ADD 6CHN	4143122	I	4143125	I	A06501
I	I		I	1806844-ADD 6CHN	4143125	I	INO EQUIVALENT	I	-----
I	I		I	4141996-ADD 6CHN	0400113	I	4143122	I	A06491
I	I		I	4141996-ADD 6CHN	4143122	I	4143125	I	A06501
I	I		I	4141996-ADD 6CHN	4143125	I	INO EQUIVALENT	I	-----
I S2	I		I	1806844-ADD 6CHNLI	4494746	I	INO EQUIVALENT	I	-----
I	I		I	1806844-ADD 6CHN	4494746	I	INO EQUIVALENT	I	-----
I	I		I	1806844-ADD 6CHNLI	0400113	I	4143122	I	A06491
I	I		I	1806844-ADD 6CHN	4494760	I	4143122	I	A06491
I	I		I	1806844-ADD 6CHN	4143122	I	4143125	I	A06501
I	I		I	1806844-ADD 6CHN	4143125	I	INO EQUIVALENT	I	-----
I T2	I		I	1806844-ADD 6CHNLI	4494746	I	INO EQUIVALENT	I	-----
I	I		I	1806844-ADD 6CHN	4494746	I	INO EQUIVALENT	I	-----
I	I		I	1806844-ADD 6CHNLI	0400113	I	4143122	I	A06491
I	I		I	1806844-ADD 6CHN	4494760	I	4143122	I	A06491
I	I		I	1806844-ADD 6CHN	4143122	I	4143125	I	A06501
I	I		I	1806844-ADD 6CHN	4143125	I	INO EQUIVALENT	I	-----
I U2	I		I	1806844-ADD 6CHNLI	4494746	I	INO EQUIVALENT	I	-----
I	I		I	1806844-ADD 6CHN	4494746	I	INO EQUIVALENT	I	-----
I	I		I	1806844-ADD 6CHNLI	0400113	I	4143122	I	A06491
I	I		I	1806844-ADD 6CHN	4494760	I	4143122	I	A06491
I	I		I	1806844-ADD 6CHN	4143122	I	4143125	I	A06501
I	I		I	1806844-ADD 6CHN	4143125	I	INO EQUIVALENT	I	-----

I-COMMENTS-----

A	ICOPYRIGHT	IBMI LIST P/N 4142820	I	I CHNL DRVR	I	A
1	ICORP. 1982	I PLUG	I	I BOARD 01A A3	I	1
0	I	I LIST	I	I PLUG	I	0
0	I	I E.C. HISTORY	I	I LIST	I	0
4	I	I A06555 - 20MAR84	I	I	I	4

PAGE 2 OF 2 I A06556 - 16MAY84 I PAGE 2 OF 2

ITEM	IEC LEVEL	FEATURE NUMBER	ONIPART NUMBER	IPART NUMBER	WHEN YOU USE AN
LOC	ION THE	THE MACHINE LIST	IN MACHINE	WHICH MAY BE	EQUIVALENT ITEM IN
	MACHINE	(ITC) AND BRIEF	FOR THE	USED INSTEAD	PLACE OF ONE IN THE
	HISTORY	DESCRIPTION OF	DETERMINED	OF PART IN THE	MACHINE, CHANGE EC
	LIST-ITC	THE FEATURE	IEC LEVEL	MACHINE	LEVEL ON THE ITC
				(EQUIVALENT)	LISTING TO:
A4	I 379912	I 1806877-ALL MACHSI	0400106	I 4143140	I A13075
BOARD	I A13075	I 1806877-ALL MACHSI	4143140	INO EQUIVALENT	I -----
	I 0156596	I 1806878-ALL MACHSI	4143075	INO EQUIVALENT	I -----
	I 0156597	I 1806878-ALL MACHSI	4143076	INO EQUIVALENT	I -----
	I 337668	I 1806878-ALL MACHSI	4143076	INO EQUIVALENT	I -----
A2	I 337683	I 1806879-4MEG	I 0400073	I 0400107	I 379915C
	I 379915C	I 1806879-4MEG	I 0400107	INO EQUIVALENT	I -----
	I 337683	I 1806882-4MEG	I 0400073	I 0400107	I 379915C
	I 379915C	I 1806882-4MEG	I 0400107	INO EQUIVALENT	I -----
	I A13073	I 4143517-8MEG	I 0400107	INO EQUIVALENT	I -----
B2	I 337683	I 1806881-16MEG	I 4265374	I 4265386	I A02289
	I A02289	I 1806881-16MEG	I 4265386	I 4265387	I A02295
	I A02295	I 1806881-16MEG	I 4265387	INO EQUIVALENT	I -----
	I 0156617	I 1806884-16MEG	I 6229400	I 6229401	I A13069
	I A13069	I 1806884-16MEG	I 6229400	I 6229401	I A13069
	I 0156618	I 1806884-16MEG	I 6229401	I 6229400	I A13069
	I A13069	I 1806884-16MEG	I 6229401	I 6229400	I A13069
	I A13073	I 4143520-	I 6229388	INO EQUIVALENT	I -----
	I A20412	I 4143515-	I 6229388	INO EQUIVALENT	I -----
C2	I 337683	I 1806881-16MEG	I 4265374	I 4265386	I A02289
	I A02289	I 1806881-16MEG	I 4265386	I 4265387	I A02295
	I A02295	I 1806881-16MEG	I 4265387	INO EQUIVALENT	I -----
	I 0156617	I 1806884-16MEG	I 6229400	I 6229401	I A13069
	I A13069	I 1806884-16MEG	I 6229400	I 6229401	I A13069
	I 0156618	I 1806884-16MEG	I 6229401	I 6229400	I A13069
	I A13069	I 1806884-16MEG	I 6229401	I 6229400	I A13069
	I A13073	I 4143519-	I 6229388	INO EQUIVALENT	I -----
	I A20412	I 4143514-	I 6229388	INO EQUIVALENT	I -----
D2	I 337683	I 1806880-8MEG	I 4265374	I 4265386	I A02289
	I A02289	I 1806880-8MEG	I 4265386	I 4265387	I A02295
	I A02295	I 1806880-8MEG	I 4265387	INO EQUIVALENT	I -----
	I 0156617	I 1806883-8MEG	I 6229400	I 6229401	I A13069
	I A13069	I 1806883-8MEG	I 6229400	I 6229401	I A13069
	I 0156618	I 1806883-8MEG	I 6229401	I 6229400	I A13069
	I A13069	I 1806883-8MEG	I 6229401	I 6229400	I A13069
	I A13073	I 4143518-16MEG	I 6229388	INO EQUIVALENT	I -----
E2	I 337683	I 1806879-4MEG	I 4265374	I 4265386	I A02289
	I A02289	I 1806879-4MEG	I 4265386	I 4265387	I A02295
	I A02295	I 1806879-4MEG	I 4265387	INO EQUIVALENT	I -----
	I 0156617	I 1806882-4MEG	I 6229400	I 6229401	I A13069
	I A13069	I 1806882-4MEG	I 6229400	I 6229401	I A13069
	I 0156618	I 1806882-4MEG	I 6229401	I 6229400	I A13069
	I A13069	I 1806882-4MEG	I 6229401	I 6229400	I A13069
	I A13073	I 4143517-8MEG	I 6229388	INO EQUIVALENT	I -----

I-COMMENTS					
A	ICOPYRIGHT	IBMI LIST P/N 4142821	I	I	I A
1	ICORP. 1982	I PLUG	I	I BOARD 01A A4	I 1
0	I	I LIST	I	I PLUG	I 0
0	I	I E.C. HISTORY	I	I LIST	I 0
5	I	I A06557 - 22JUN84	I	I	I 5
PAGE 1 OF 4	I	I A06561 - 20JUL84	I	I	PAGE 1 OF 4

ITEM	IEC LEVEL	FEATURE NUMBER	ONIPART NUMBER	IPART NUMBER	WHEN YOU USE AN	
LOC	ION THE	THE MACHINE LIST	IN MACHINE	WHICH MAY BE	EQUIVALENT ITEM IN	
	MACHINE	(ITC) AND BRIEF	FOR THE	USED INSTEAD	PLACE OF ONE IN THE	
	HISTORY	DESCRIPTION OF	DETERMINED	OF PART IN THE	MACHINE, CHANGE EC	
	LIST-ITCI	THE FEATURE	IEC LEVEL	MACHINE	LEVEL ON THE ITC	
	I	I	I	I (EQUIVALENT)	LISTING TO:	
F2	I 337683	I 1806879-4MEG	I 0400073	I 0400107	I 379915C	
	I 379915C	I 1806879-4MEG	I 0400107	INO EQUIVALENT	I -----	
	I 337683	I 1806882-4MEG	I 0400073	I 0400107	I 379915C	
	I 379915C	I 1806882-4MEG	I 0400107	INO EQUIVALENT	I -----	
	I A13073	I 4143517-8MEG	I 0400107	INO EQUIVALENT	I -----	
G2	I 337683	I 1806881-16MEG	I 4265374	I 4265386	I A02289	
	I A02289	I 1806881-16MEG	I 4265386	I 4265387	I A02295	
	I A02295	I 1806881-16MEG	I 4265387	INO EQUIVALENT	I -----	
	I 0156617	I 1806884-16MEG	I 6229400	I 6229401	I A13069	
	I A13069	I 1806884-16MEG	I 6229400	I 6229401	I A13069	
	I 0156618	I 1806884-16MEG	I 6229401	I 6229400	I A13069	
	I A13069	I 1806884-16MEG	I 6229401	I 6229400	I A13069	
	I A13073	I 4143520-	I 6229388	INO EQUIVALENT	I -----	
	I A20412	I 4143515-	I 6229388	INO EQUIVALENT	I -----	
H2	I 337683	I 1806881-16MEG	I 4265374	I 4265386	I A02289	
	I A02289	I 1806881-16MEG	I 4265386	I 4265387	I A02295	
	I A02295	I 1806881-16MEG	I 4265387	INO EQUIVALENT	I -----	
	I 0156617	I 1806884-16MEG	I 6229400	I 6229401	I A13069	
	I A13069	I 1806884-16MEG	I 6229400	I 6229401	I A13069	
	I 0156618	I 1806884-16MEG	I 6229401	I 6229400	I A13069	
	I A13069	I 1806884-16MEG	I 6229401	I 6229400	I A13069	
	I A13073	I 4143519-	I 6229388	INO EQUIVALENT	I -----	
	I A20412	I 4143514-	I 6229388	INO EQUIVALENT	I -----	
J2	I 337683	I 1806880-8MEG	I 4265374	I 4265386	I A02289	
	I A02289	I 1806880-8MEG	I 4265386	I 4265387	I A02295	
	I A02295	I 1806880-8MEG	I 4265387	INO EQUIVALENT	I -----	
	I 0156617	I 1806883-8MEG	I 6229400	I 6229401	I A13069	
	I A13069	I 1806883-8MEG	I 6229400	I 6229401	I A13069	
	I 0156618	I 1806883-8MEG	I 6229401	I 6229400	I A13069	
	I A13069	I 1806883-8MEG	I 6229401	I 6229400	I A13069	
	I A13073	I 4143518-16MEG	I 6229388	INO EQUIVALENT	I -----	
K2	I 337683	I 1806879-4MEG	I 4265374	I 4265386	I A02289	
	I A02289	I 1806879-4MEG	I 4265386	I 4265387	I A02295	
	I A02295	I 1806879-4MEG	I 4265387	INO EQUIVALENT	I -----	
	I 0156617	I 1806882-4MEG	I 6229400	I 6229401	I A13069	
	I A13069	I 1806882-4MEG	I 6229400	I 6229401	I A13069	
	I 0156618	I 1806882-4MEG	I 6229401	I 6229400	I A13069	
	I A13069	I 1806882-4MEG	I 6229401	I 6229400	I A13069	
	I A13073	I 4143517-8MEG	I 6229388	INO EQUIVALENT	I -----	
L2	I 337683	I 1806879-4MEG	I 0400072	I 4143120	I A06486	
	I A06486	I 1806879-4MEG	I 4143120	INO EQUIVALENT	I -----	
	I 337683	I 1806882-4MEG	I 0400073	I 0400107	I 379915C	
	I 379915C	I 1806882-4MEG	I 0400107	INO EQUIVALENT	I -----	
	I A13073	I 4143517-8MEG	I 0400107	INO EQUIVALENT	I -----	

I-COMMENTS						
A	ICOPYRIGHT	IBMI LIST P/N 4142821	I		I	A
1	ICORP. 1982	I PLUG	I		I BOARD 01A A4	I 1
0	I	I LIST	I		I PLUG	I 0
0	I	I E.C. HISTORY	I		I LIST	I 0
5	I	I A06557 - 22JUN84	I		I	I 5
	PAGE 2 OF 4	I A06561 - 20JUL84	I		I	PAGE 2 OF 4

ITEM	LOC	IBC LEVEL	IFEATURE NUMBER	ONIPART NUMBER	IPART NUMBER	IWHEN YOU USE AN
		ION THE	ITHE MACHINE LIST	IIN MACHINE	IWHICH MAY BE	IEQUIVALENT ITEM IN
		IMACHINE	I (ITC) AND BRIEF	IFOR THE	IUSED INSTEAD	IPLACE OF ONE IN THE
		IHISTORY	IDescription OF	IDETERMINED	IOF PART IN THE	IMACHINE, CHANGE EC
		ILIST-ITC	ITHE FEATURE	IEC LEVEL	IMACHINE	ILEVEL ON THE ITC
		I	I	I	I (EQUIVALENT)	ILISTING TO:
M2	I	337683	I 1806879-4 MEG	I 0400073	I 0400107	I 379915C
	I	379915C	I 1806879-4 MEG	I 0400107	INO EQUIVALENT	I -----
	I	A13073	I 4143517-8MEG	I 0400107	INO EQUIVALENT	I -----
	I	0156617	I 1806884-16MEG	I 6229400	I 6229401	I A13069
	I	A13069	I 1806884-16MEG	I 6229400	I 6229401	I A13069
	I	0156618	I 1806884-16MEG	I 6229401	I 6229400	I A13069
	I	A13069	I 1806884-16MEG	I 6229401	I 6229400	I A13069
N2	I	337683	I 1806881-16 MEG	I 4265374	I 4265386	I A02289
	I	A02289	I 1806881-16 MEG	I 4265386	I 4265387	I A02295
	I	A02295	I 1806881-16 MEG	I 4265387	INO EQUIVALENT	I -----
	I	0156617	I 1806884-16MEG	I 6229400	I 6229401	I A13069
	I	A13069	I 1806884-16MEG	I 6229400	I 6229401	I A13069
	I	0156618	I 1806884-16MEG	I 6229401	I 6229400	I A13069
	I	A13069	I 1806884-16MEG	I 6229401	I 6229400	I A13069
	I	A13073	I 4143520-	I 6229388	INO EQUIVALENT	I -----
	I	A20412	I 4143515-	I 6229388	INO EQUIVALENT	I -----
P2	I	337683	I 1806881-16 MEG	I 4265374	I 4265386	I A02289
	I	A02289	I 1806881-16 MEG	I 4265386	I 4265387	I A02295
	I	A02295	I 1806881-16 MEG	I 4265387	INO EQUIVALENT	I -----
	I	0156617	I 1806883-8MEG	I 6229400	I 6229401	I A13069
	I	A13069	I 1806883-8MEG	I 6229400	I 6229401	I A13069
	I	0156618	I 1806883-8MEG	I 6229401	I 6229400	I A13069
	I	A13069	I 1806883-8MEG	I 6229401	I 6229400	I A13069
	I	A13073	I 4143519-	I 6229388	INO EQUIVALENT	I -----
	I	A20412	I 4143514-	I 6229388	INO EQUIVALENT	I -----
Q2	I	337683	I 1806880-8 MEG	I 4265374	I 4265386	I A02289
	I	A02289	I 1806880-8 MEG	I 4265386	I 4265387	I A02295
	I	A02295	I 1806880-8 MEG	I 4265387	INO EQUIVALENT	I -----
	I	0156617	I 1806882-4MEG	I 6229400	I 6229401	I A13069
	I	A13069	I 1806882-4MEG	I 6229400	I 6229401	I A13069
	I	0156618	I 1806882-4MEG	I 6229401	I 6229400	I A13069
	I	A13069	I 1806882-4MEG	I 6229401	I 6229400	I A13069
	I	A13073	I 4143518-16MEG	I 6229388	INO EQUIVALENT	I -----
R2	I	337683	I 1806879-4MEG	I 4265374	I 4265386	I A02289
	I	A02289	I 1806879-4 MEG	I 4265386	I 4265387	I A02295
	I	A02295	I 1806879-4 MEG	I 4265387	INO EQUIVALENT	I -----
	I	337683	I 1806882-4 MEG	I 0400073	I 0400107	I 379915C
	I	379915C	I 1806882-4 MEG	I 0400107	INO EQUIVALENT	I -----
	I	A13073	I 4143517-8 MEG	I 6229388	INO EQUIVALENT	I -----
S2	I	337683	I 1806879-4 MEG	I 0400073	I 0400107	I 379915C
	I	379915C	I 1806879-4 MEG	I 0400107	INO EQUIVALENT	I -----
	I	A13073	I 4143517-8 MEG	I 0400107	INO EQUIVALENT	I -----
	I	0156617	I 1806884-16MEG	I 6229400	I 6229401	I A13069
	I	A13069	I 1806884-16MEG	I 6229400	I 6229401	I A13069
	I	0156618	I 1806884-16MEG	I 6229401	I 6229400	I A13069
	I	A13069	I 1806884-16MEG	I 6229401	I 6229400	I A13069
T2	I	337683	I 1806881-16 MEG	I 4265374	I 4265386	I A02289
	I	A02289	I 1806881-16 MEG	I 4265386	I 4265387	I A02295
	I	A02295	I 1806881-16 MEG	I 4265387	INO EQUIVALENT	I -----
	I	0156617	I 1806884-16MEG	I 6229400	I 6229401	I A13069
	I	A13069	I 1806884-16MEG	I 6229400	I 6229401	I A13069
	I	0156618	I 1806884-16MEG	I 6229401	I 6229400	I A13069
	I	A13069	I 1806884-16MEG	I 6229401	I 6229400	I A13069
	I	A13073	I 4143520-	I 6229388	INO EQUIVALENT	I -----
	I	A20412	I 4143515-	I 6229388	INO EQUIVALENT	I -----

-----I-COMMENTS-----  
 A ICOPYRIGHT IBM LIST P/N 4142821 I I A  
 1 ICORP. 1982 I PLUG I BOARD 01A A4 I 1  
 0 I I LIST I PLUG I 0  
 0 I I E.C. HISTORY I LIST I 0  
 5 I I A06557 - 22JUN84 I I I 5  
 PAGE 3 OF 4 I A06561 - 20JUL84 I I PAGE 3 OF 4





THE DRAWINGS AND SPECIFICATIONS CONTAINED HEREIN SHALL NOT BE REPRODUCED IN WHOLE OR IN PART WITHOUT WRITTEN PERMISSION.

IBM HAS PREPARED THIS MAINTENANCE DOCUMENTATION FOR THE USE OF IBM CUSTOMER ENGINEERS IN THE INSTALLATION, MAINTENANCE AND REPAIR OF THE SPECIFIC MACHINES INDICATED. IBM MAKES NO REPRESENTATIONS THAT IT IS SUITABLE FOR ANY OTHER PURPOSE.

INFORMATION CONTAINED IN THIS DOCUMENTATION IS SUBJECT TO CHANGE FROM TIME TO TIME. CHANGES WILL BE REFLECTED IN SUBSEQUENT REVISIONS.

BOARD	STARTS ON PAGE	BOARD	STARTS ON PAGE	BOARD	STARTS ON PAGE	BOARD	STARTS ON PAGE
1A-A1	2	1A-A2	6	1A-A3	9	1A-A4	11
1A-B2	12	1E-CC	14				

11

CABLE LIST FOR MACHINE 4381

PREV. EC 988664

PRES. EC A09844

FEB 01, 84

FROM SOCKET	TO SOCKET	LENGTH (MM)	PART NUMBER	HARNESS ASSEMBLY	HARNESS JUMPER	REFERENCE DRAWING	HARNESS EC NUMBER	FEATURE BILL NO.
1AA1B2	1ECCC3	0000	0000000	1807947	00	8645391	A02112	1807993
1AA1B2	1ECCC4	0000	0000000	1807947	00	8645390	A02112	1807993
1AA1B3	1ECCC5	0000	0000000	1807947	00	8645391	A02112	1807993
1AA1B3	1ECCC5	0000	0000000	1807947	00	8645391	A02112	1807993
1AA1B3	1ECCC5	0000	0000000	1807947	00	8645391	A02112	1807993
1AA1B3	1ECCC6	0000	0000000	1807947	00	8645390	A02112	1807993
1AA1B3	1ECCC6	0000	0000000	1807947	00	8645390	A02112	1807993
1AA1B3	1ECCC6	0000	0000000	1807947	00	8645390	A02112	1807993
1AA1B4	1ECCC5	0000	0000000	1807947	00	8645390	A02112	1807993
1AA1B4	1ECCC5	0000	0000000	1807947	00	8645390	A02112	1807993
1AA1B4	1ECCC5	0000	0000000	1807947	00	8645390	A02112	1807993
1AA1B4	1ECCC6	0000	0000000	1807947	00	8645391	A02112	1807993
1AA1B4	1ECCC6	0000	0000000	1807947	00	8645391	A02112	1807993
1AA1B4	1ECCC6	0000	0000000	1807947	00	8645391	A02112	1807993
1AA1B5	1ECCC3	0000	0000000	1807947	00	8645390	A02112	1807993
1AA1B5	1ECCC3	0000	0000000	1807947	00	8645390	A02112	1807993
1AA1B5	1ECCC3	0000	0000000	1807947	00	8645390	A02112	1807993
1AA1B5	1ECCC4	0000	0000000	1807947	00	8645391	A02112	1807993
1AA1B5	1ECCC4	0000	0000000	1807947	00	8645391	A02112	1807993
1AA1B5	1ECCC4	0000	0000000	1807947	00	8645391	A02112	1807993
1AA1YM	1ECCC1	0000	0000000	1807947	00	8645391	A02112	1807993
1AA1YM	1ECCC2	0000	0000000	1807947	00	8645390	A02112	1807993
1AA1YMB02	1AA2YAB02	0000	0000000	1807967	1	MISCDW	A02099	1807922
1AA1YMB03	1AA2YAB03	0000	0000000	1807967	2	MISCDW	A02099	1807922
1AA1YMB04	1AA2YAB04	0000	0000000	1807967	3	MISCDW	A02099	1807922
1AA1YMB05	1AA2YAB05	0000	0000000	1807967	4	MISCDW	A02099	1807922
1AA1YMB07	1AA2YAB07	0000	0000000	1807967	5	MISCDW	A02099	1807922

FROM SOCKET	TO SOCKET	LENGTH (MM)	PART NUMBER	HARNESS ASSEMBLY	HARNESS JUMPER	REFERENCE DRAWING	HARNESS EC NUMBER	FEATURE BILL NO.
1AA1YMB08	1AA2YAB08	0000	0000000	1807967	6	MISCDW	A02099	1807922
1AA1YMB09	1AA2YAB09	0000	0000000	1807967	7	MISCDW	A02099	1807922
1AA1YMB10	1AA2YAB10	0000	0000000	1807967	8	MISCDW	A02099	1807922
1AA1YMB12	1AA2YAB12	0000	0000000	1807967	9	MISCDW	A02099	1807922
1AA1YMB13	1AA2YAB13	0000	0000000	1807967	10	MISCDW	A02099	1807922
1AA1YMD02	1AA2YAD02	0000	0000000	1807967	11	MISCDW	A02099	1807922
1AA1YMD04	1AA2YAD04	0000	0000000	1807967	12	MISCDW	A02099	1807922
1AA1YMD05	1AA2YAD05	0000	0000000	1807967	13	MISCDW	A02099	1807922
1AA1YMD06	1AA2YAD06	0000	0000000	1807967	14	MISCDW	A02099	1807922
1AA1YMD07	1AA2YAD07	0000	0000000	1807967	15	MISCDW	A02099	1807922
1AA1YMD09	1AA2YAD09	0000	0000000	1807967	16	MISCDW	A02099	1807922
1AA1YMD10	1AA2YAD10	0000	0000000	1807967	17	MISCDW	A02099	1807922
1AA1YMD11	1AA2YAD11	0000	0000000	1807967	18	MISCDW	A02099	1807922
1AA1YMD12	1AA2YAD12	0000	0000000	1807967	19	MISCDW	A02099	1807922
1AA1YMD13	1AA2YAD13	0000	0000000	1807967	20	MISCDW	A02099	1807922
1AA1YNB02	1AA2YBB02	0000	0000000	1807967	1	MISCDW	A02099	1807922
1AA1YNB03	1AA2YBB03	0000	0000000	1807967	2	MISCDW	A02099	1807922
1AA1YNB04	1AA2YBB04	0000	0000000	1807967	3	MISCDW	A02099	1807922
1AA1YNB08	1AA2YBB08	0000	0000000	1807967	6	MISCDW	A02099	1807922
1AA1YNB09	1AA2YBB09	0000	0000000	1807967	7	MISCDW	A02099	1807922
1AA1YNB10	1AA2YBB10	0000	0000000	1807967	8	MISCDW	A02099	1807922
1AA1YND02	1AA2YBD02	0000	0000000	1807967	11	MISCDW	A02099	1807922
1AA1YND04	1AA2YBD04	0000	0000000	1807967	12	MISCDW	A02099	1807922
1AA1YND05	1AA2YBD05	0000	0000000	1807967	13	MISCDW	A02099	1807922
1AA1YND06	1AA2YBD06	0000	0000000	1807967	14	MISCDW	A02099	1807922
1AA1YND07	1AA2YBD07	0000	0000000	1807967	15	MISCDW	A02099	1807922
1AA1YND09	1AA2YBD09	0000	0000000	1807967	16	MISCDW	A02099	1807922

CABLE LIST FOR MACHINE 4381			PREV. EC 988664	PRES. EC A09844	FEB 01, 84			
FROM SOCKET	TO SOCKET	LENGTH (MM)	PART NUMBER	HARNESS ASSEMBLY	HARNESS JUMPER	REFERENCE DRAWING	HARNESS EC NUMBER	FEATURE BILL NO.
1AA1YND10	1AA2YBD10	0000	0000000	1807967	17	MISCDW	A02099	1807922
1AA1YND11	1AA2YBD11	0000	0000000	1807967	18	MISCDW	A02099	1807922
1AA1YND12	1AA2YBD12	0000	0000000	1807967	19	MISCDW	A02099	1807922
1AA1YND13	1AA2YBD13	0000	0000000	1807967	20	MISCDW	A02099	1807922
1AA1ZCB02	1AA2B5D10	0000	0000000	1807968	2	MISCDW	A02099	1807922
1AA1ZCB11	1AA2B5B05	0000	0000000	1807968	5	MISCDW	A02099	1807922
1AA1ZCB13	1AA2B5B04	0000	0000000	1807968	6	MISCDW	A02099	1807922
1AA1ZCD02	1AA2B5D02	0000	0000000	1807968	1	MISCDW	A02099	1807922
1AA1ZCD03	1AA2B5B02	0000	0000000	1807968	3	MISCDW	A02099	1807922
1AA1ZCD04	1AA2B5D04	0000	0000000	1807968	4	MISCDW	A02099	1807922
1AA1ZD	1ECCC1	0000	0000000	1807947	00	8645390	A02112	1807993
1AA1ZD	1ECCC2	0000	0000000	1807947	00	8645391	A02112	1807993
1AA1ZD	1ECCC2	0000	0000000	1807947	00	8645391	A02112	1807993
1AA1ZD	1ECCC2	0000	0000000	1807947	00	8645391	A02112	1807993
1AA1ZFB02	1AA2YJB02	0000	0000000	1807965	1	MISCDW	A02099	1807922
1AA1ZFB03	1AA2YJB03	0000	0000000	1807965	2	MISCDW	A02099	1807922
1AA1ZFB04	1AA2YJB04	0000	0000000	1807965	3	MISCDW	A02099	1807922
1AA1ZFB05	1AA2YJB05	0000	0000000	1807965	4	MISCDW	A02099	1807922
1AA1ZFB07	1AA2YJB07	0000	0000000	1807965	5	MISCDW	A02099	1807922
1AA1ZFB08	1AA2YJB08	0000	0000000	1807965	6	MISCDW	A02099	1807922
1AA1ZFB09	1AA2YJB09	0000	0000000	1807965	7	MISCDW	A02099	1807922
1AA1ZFB10	1AA2YJB10	0000	0000000	1807965	8	MISCDW	A02099	1807922
1AA1ZFB12	1AA2YJB12	0000	0000000	1807965	9	MISCDW	A02099	1807922
1AA1ZFB13	1AA2YJB13	0000	0000000	1807965	10	MISCDW	A02099	1807922
1AA1ZFD02	1AA2YJD02	0000	0000000	1807965	11	MISCDW	A02099	1807922
1AA1ZFD04	1AA2YJD04	0000	0000000	1807965	12	MISCDW	A02099	1807922
1AA1ZFD05	1AA2YJD05	0000	0000000	1807965	13	MISCDW	A02099	1807922

FROM SOCKET	TO SOCKET	LENGTH (MM)	PART NUMBER	HARNESS ASSEMBLY	HARNESS JUMPER	REFERENCE DRAWING	HARNESS EC NUMBER	FEATURE BILL NO.
1AA1ZFD06	1AA2YJD06	0000	0000000	1807965	14	MISCDW	A02099	1807922
1AA1ZFD07	1AA2YJD07	0000	0000000	1807965	15	MISCDW	A02099	1807922
1AA1ZFD09	1AA2YJD09	0000	0000000	1807965	16	MISCDW	A02099	1807922
1AA1ZFD10	1AA2YJD10	0000	0000000	1807965	17	MISCDW	A02099	1807922
1AA1ZFD11	1AA2YJD11	0000	0000000	1807965	18	MISCDW	A02099	1807922
1AA1ZFD12	1AA2YJD12	0000	0000000	1807965	19	MISCDW	A02099	1807922
1AA1ZFD13	1AA2YJD13	0000	0000000	1807965	20	MISCDW	A02099	1807922

FROM SOCKET	TO SOCKET	LENGTH (MM)	PART NUMBER	HARNESS ASSEMBLY	HARNESS JUMPER	REFERENCE DRAWING	HARNESS EC NUMBER	FEATURE BILL NO.
1AA2B2B02	1AA2YCD06	0000	0000000	1807964	2	MISCDW	A02099	1807922
1AA2B2B03	1AA2YCB11	0000	0000000	1807964	3	MISCDW	A02099	1807922
1AA2B2B04	1AA2YCD09	0000	0000000	1807964	5	MISCDW	A02099	1807922
1AA2B2B05	1AA2YCD12	0000	0000000	1807964	6	MISCDW	A02099	1807922
1AA2B2B06	1AA2YCB12	0000	0000000	1807964	4	MISCDW	A02099	1807922
1AA2B2B07	1AA2YCD04	0000	0000000	1807964	1	MISCDW	A02099	1807922
1AA2B5B02	1AA1ZCD03	0000	0000000	1807968	3	MISCDW	A02099	1807922
1AA2B5B04	1AA1ZCB13	0000	0000000	1807968	6	MISCDW	A02099	1807922
1AA2B5B05	1AA1ZCB11	0000	0000000	1807968	5	MISCDW	A02099	1807922
1AA2B5D02	1AA1ZCD02	0000	0000000	1807968	1	MISCDW	A02099	1807922
1AA2B5D04	1AA1ZCD04	0000	0000000	1807968	4	MISCDW	A02099	1807922
1AA2B5D10	1AA1ZCB02	0000	0000000	1807968	2	MISCDW	A02099	1807922
1AA2YAB02	1AA1YMB02	0000	0000000	1807967	1	MISCDW	A02099	1807922
1AA2YAB03	1AA1YMB03	0000	0000000	1807967	2	MISCDW	A02099	1807922
1AA2YAB04	1AA1YMB04	0000	0000000	1807967	3	MISCDW	A02099	1807922
1AA2YAB05	1AA1YMB05	0000	0000000	1807967	4	MISCDW	A02099	1807922
1AA2YAB07	1AA1YMB07	0000	0000000	1807967	5	MISCDW	A02099	1807922
1AA2YAB08	1AA1YMB08	0000	0000000	1807967	6	MISCDW	A02099	1807922
1AA2YAB09	1AA1YMB09	0000	0000000	1807967	7	MISCDW	A02099	1807922
1AA2YAB10	1AA1YMB10	0000	0000000	1807967	8	MISCDW	A02099	1807922
1AA2YAB12	1AA1YMB12	0000	0000000	1807967	9	MISCDW	A02099	1807922
1AA2YAB13	1AA1YMB13	0000	0000000	1807967	10	MISCDW	A02099	1807922
1AA2YAD02	1AA1YMD02	0000	0000000	1807967	11	MISCDW	A02099	1807922
1AA2YAD04	1AA1YMD04	0000	0000000	1807967	12	MISCDW	A02099	1807922
1AA2YAD05	1AA1YMD05	0000	0000000	1807967	13	MISCDW	A02099	1807922
1AA2YAD06	1AA1YMD06	0000	0000000	1807967	14	MISCDW	A02099	1807922
1AA2YAD07	1AA1YMD07	0000	0000000	1807967	15	MISCDW	A02099	1807922

FROM SOCKET	TO SOCKET	LENGTH (MM)	PART NUMBER	HARNESS ASSEMBLY	HARNESS JUMPER	REFERENCE DRAWING	HARNESS EC NUMBER	FEATURE BILL NO.
1AA2YAD09	1AA1YMD09	0000	0000000	1807967	16	MISCDW	A02099	1807922
1AA2YAD10	1AA1YMD10	0000	0000000	1807967	17	MISCDW	A02099	1807922
1AA2YAD11	1AA1YMD11	0000	0000000	1807967	18	MISCDW	A02099	1807922
1AA2YAD12	1AA1YMD12	0000	0000000	1807967	19	MISCDW	A02099	1807922
1AA2YAD13	1AA1YMD13	0000	0000000	1807967	20	MISCDW	A02099	1807922
1AA2YBB02	1AA1YNB02	0000	0000000	1807967	1	MISCDW	A02099	1807922
1AA2YBB03	1AA1YNB03	0000	0000000	1807967	2	MISCDW	A02099	1807922
1AA2YBB04	1AA1YNB04	0000	0000000	1807967	3	MISCDW	A02099	1807922
1AA2YBB08	1AA1YNB08	0000	0000000	1807967	6	MISCDW	A02099	1807922
1AA2YBB09	1AA1YNB09	0000	0000000	1807967	7	MISCDW	A02099	1807922
1AA2YBB10	1AA1YNB10	0000	0000000	1807967	8	MISCDW	A02099	1807922
1AA2YBD02	1AA1YND02	0000	0000000	1807967	11	MISCDW	A02099	1807922
1AA2YBD04	1AA1YND04	0000	0000000	1807967	12	MISCDW	A02099	1807922
1AA2YBD05	1AA1YND05	0000	0000000	1807967	13	MISCDW	A02099	1807922
1AA2YBD06	1AA1YND06	0000	0000000	1807967	14	MISCDW	A02099	1807922
1AA2YBD07	1AA1YND07	0000	0000000	1807967	15	MISCDW	A02099	1807922
1AA2YBD09	1AA1YND09	0000	0000000	1807967	16	MISCDW	A02099	1807922
1AA2YBD10	1AA1YND10	0000	0000000	1807967	17	MISCDW	A02099	1807922
1AA2YBD11	1AA1YND11	0000	0000000	1807967	18	MISCDW	A02099	1807922
1AA2YBD12	1AA1YND12	0000	0000000	1807967	19	MISCDW	A02099	1807922
1AA2YBD13	1AA1YND13	0000	0000000	1807967	20	MISCDW	A02099	1807922
1AA2YCB11	1AA2B2B03	0000	0000000	1807964	3	MISCDW	A02099	1807922
1AA2YCB12	1AA2B2B06	0000	0000000	1807964	4	MISCDW	A02099	1807922
1AA2YCD04	1AA2B2B07	0000	0000000	1807964	1	MISCDW	A02099	1807922
1AA2YCD06	1AA2B2B02	0000	0000000	1807964	2	MISCDW	A02099	1807922
1AA2YCD09	1AA2B2B04	0000	0000000	1807964	5	MISCDW	A02099	1807922
1AA2YCD12	1AA2B2B05	0000	0000000	1807964	6	MISCDW	A02099	1807922

CABLE LIST FOR MACHINE 4381			PREV. EC 988664	PRES. EC A09844	FEB 01, 84			
FROM SOCKET	TO SOCKET	LENGTH (MM)	PART NUMBER	HARNESS ASSEMBLY	HARNESS JUMPER	REFERENCE DRAWING	HARNESS EC NUMBER	FEATURE BILL NO.
1AA2YF	1AB2VS6	1600	4150259	8645354	9	4150010	A02112	1807985
1AA2YG	1AB2WJ7	1200	4150255	8645357	1	4150010	A02100	1807985
1AA2YJB02	1AA1ZFB02	0000	0000000	1807965	1	MISCDW	A02099	1807922
1AA2YJB03	1AA1ZFB03	0000	0000000	1807965	2	MISCDW	A02099	1807922
1AA2YJB04	1AA1ZFB04	0000	0000000	1807965	3	MISCDW	A02099	1807922
1AA2YJB05	1AA1ZFB05	0000	0000000	1807965	4	MISCDW	A02099	1807922
1AA2YJB07	1AA1ZFB07	0000	0000000	1807965	5	MISCDW	A02099	1807922
1AA2YJB08	1AA1ZFB08	0000	0000000	1807965	6	MISCDW	A02099	1807922
1AA2YJB09	1AA1ZFB09	0000	0000000	1807965	7	MISCDW	A02099	1807922
1AA2YJB10	1AA1ZFB10	0000	0000000	1807965	8	MISCDW	A02099	1807922
1AA2YJB12	1AA1ZFB12	0000	0000000	1807965	9	MISCDW	A02099	1807922
1AA2YJB13	1AA1ZFB13	0000	0000000	1807965	10	MISCDW	A02099	1807922
1AA2YJD02	1AA1ZFD02	0000	0000000	1807965	11	MISCDW	A02099	1807922
1AA2YJD04	1AA1ZFD04	0000	0000000	1807965	12	MISCDW	A02099	1807922
1AA2YJD05	1AA1ZFD05	0000	0000000	1807965	13	MISCDW	A02099	1807922
1AA2YJD06	1AA1ZFD06	0000	0000000	1807965	14	MISCDW	A02099	1807922
1AA2YJD07	1AA1ZFD07	0000	0000000	1807965	15	MISCDW	A02099	1807922
1AA2YJD09	1AA1ZFD09	0000	0000000	1807965	16	MISCDW	A02099	1807922
1AA2YJD10	1AA1ZFD10	0000	0000000	1807965	17	MISCDW	A02099	1807922
1AA2YJD11	1AA1ZFD11	0000	0000000	1807965	18	MISCDW	A02099	1807922
1AA2YJD12	1AA1ZFD12	0000	0000000	1807965	19	MISCDW	A02099	1807922
1AA2YJD13	1AA1ZFD13	0000	0000000	1807965	20	MISCDW	A02099	1807922
1AA2YQ	1AA3YM	0000	0000000	1807955	00	MISCLCA	A02112	1807992
1AA2YR	1AA3ZD	0000	0000000	1807955	00	MISCLCA	A02112	1807992
1AA2ZG	1ECCA1	0000	0000000	1807955	00	8645391	A02112	1807992
1AA2ZH	1ECCA1	0000	0000000	1807955	00	8645390	A02112	1807992



CABLE LIST FOR MACHINE 4381			PREV. EC 988664	PRES. EC A09844	FEB 01, 84			
FROM SOCKET	TO SOCKET	LENGTH (MM)	PART NUMBER	HARNESS ASSEMBLY	HARNESS JUMPER	REFERENCE DRAWING	HARNESS EC NUMBER	FEATURE BILL NO.
1AA3A4	1AB2VJ1	1100	4150254	8645357	3	4150010	A02100	1807985
1AA3B2	1ECCA5	0000	0000000	1807944	00	8645391	A02112	1807992
1AA3B3	1ECCA3	0000	0000000	1807944	00	8645391	A02112	1807992
1AA3B4	1ECCA3	0000	0000000	1807944	00	8645390	A02112	1807992
1AA3B5	1ECCA5	0000	0000000	1807944	00	8645390	A02112	1807992
1AA3C2	1AB2VS0	1500	4150258	8645354	1	4150010	A02112	1807985
1AA3C3	1AB2VS1	1500	4150258	8645354	2	4150010	A02112	1807985
1AA3C4	1AB2VS8	1400	4150257	8645354	7	4150010	A02112	1807985
1AA3C5	1AB2VS4	1400	4150257	8645354	4	4150010	A02112	1807985
1AA3D2	1AB2VS9	1500	4150258	8645354	8	4150010	A02112	1807985
1AA3D3	1AB2VS5	1500	4150258	8645354	5	4150010	A02112	1807985
1AA3D4	1AB2VS7	1400	4150257	8645354	6	4150010	A02112	1807985
1AA3D5	1AB2VS3	1400	4150257	8645354	3	4150010	A02112	1807985
1AA3V2	1AB2WS9	950	4150252	8645354	18	4150010	A02112	1807993
1AA3V3	1AB2WS4	900	4150251	8645354	16	4150010	A02112	1807993
1AA3V4	1AB2WS1	850	4150250	8645354	15	4150010	A02112	1807993
1AA3V5	1AB2WS5	800	4150249	8645354	17	4150010	A02112	1807993
1AA3W2	1AB2WS0	950	4150252	8645354	12	4150010	A02112	1807993
1AA3W3	1AB2WS8	900	4150251	8645354	14	4150010	A02112	1807985
1AA3W4	1AB2WJ8	620	4150243	8645354	3	4150010	A02112	1807993
1AA3W5	1AB2WS6	800	4150249	8645354	13	4150010	A02112	1807993
1AA3YC	1AB2WS7	1300	4150256	8645354	10	4150010	A02112	1807985
1AA3YD	1AB2WJ1	1100	4150254	8645357	2	4150010	A02100	1807985
1AA3YF	1AA4YA	1100	1726943	0401430	1	4150008	A02100	0401429
1AA3YG	1AB2VA4	800	4150249	8645354	11	4150010	A02112	1807985
1AA3YJ	1ECCA8	0000	0000000	1807945	00	8645090	A02112	1807922
1AA3YL	1ECCB2	0000	0000000	1807945	00	8645091	A02112	1807922

CABLE LIST FOR MACHINE 4381

PREV. EC 988664

PRES. EC A09844

FEB 01, 84

LIST PN 8645431 PAGE 10 OF 15

FROM SOCKET	TO SOCKET	LENGTH (MM)	PART NUMBER	HARNESS ASSEMBLY	HARNESS JUMPER	REFERENCE DRAWING	HARNESS EC NUMBER	FEATURE BILL NO.
1AA3YM	1AA2YQ	0000	0000000	1807955	00	MISCLCA	A02112	1807992
1AA3YN	1ECCB4	0000	0000000	1807946	00	8645391	A02112	1807993
1AA3YP	1ECCB6	0000	0000000	1807946	00	8645391	A02112	1807993
1AA3YQ	1ECCB8	0000	0000000	1807946	00	8645391	A02112	1807993
1AA3ZA	1ECCA8	0000	0000000	1807945	00	8645090	A02112	1807922
1AA3ZB	1ECCB7	0000	0000000	1807945	00	8645090	A02112	1807922
1AA3ZC	1ECCB3	0000	0000000	1807945	00	8645091	A02112	1807922
1AA3ZD	1AA2YR	0000	0000000	1807955	00	MISCLCA	A02112	1807992

FROM SOCKET	TO SOCKET	LENGTH (MM)	PART NUMBER	HARNESS ASSEMBLY	HARNESS JUMPER	REFERENCE DRAWING	HARNESS EC NUMBER	FEATURE BILL NO.
1AA4X2	1AB2WJ0	450	4150236	8645357	4	4150010	A02100	1807985
1AA4X3	1AB2WJ3	400	4150234	8645357	5	4150010	A02100	1807985
1AA4X4	1AB2WJ6	400	4150234	8645357	6	4150010	A02100	1807985
1AA4X5	1AB2WJ9	420	4150235	8645357	7	4150010	A02100	1807985
1AA4YA	1AA3YF	1100	1726943	0401430	1	4150008	A02100	0401429
1AA4YD	1AB2WA7	560	4150241	8645353	8	4150010	A02100	1807985
1AA4YE	1AB2WA1	520	4150239	8645353	2	4150010	A02100	1807985
1AA4YF	1AB2WA4	480	4150237	8645353	5	4150010	A02100	1807985
1AA4YG	1AB2WA2	420	4150235	8645353	3	4150010	A02100	1807985
1AA4YL	1AB2WA5	640	4150244	8645353	6	4150010	A02100	1807985
1AA4YM	1AB2WA8	600	4150242	8645353	9	4150010	A02100	1807985
1AA4YN	1AB2WA9	540	4150240	8645353	10	4150010	A02100	1807985
1AA4YP	1AB2WA6	500	4150238	8645353	7	4150010	A02100	1807985
1AA4YQ	1AB2WA3	450	4150236	8645353	4	4150010	A02100	1807985
1AA4YR	1AB2WA0	400	4150234	8645353	1	4150010	A02100	1807985

CABLE LIST FOR MACHINE 4381			PREV. EC 988664	PRES. EC A09844	FEB 01, 84			
FROM SOCKET	TO SOCKET	LENGTH (MM)	PART NUMBER	HARNESS ASSEMBLY	HARNESS JUMPER	REFERENCE DRAWING	HARNESS EC NUMBER	FEATURE BILL NO.
1AB2VA4	1AA3YG	800	4150249	8645354	11	4150010	A02112	1807985
1AB2VJ1	1AA3A4	1100	4150254	8645357	3	4150010	A02100	1807985
1AB2VS0	1AA3C2	1500	4150258	8645354	1	4150010	A02112	1807985
1AB2VS1	1AA3C3	1500	4150258	8645354	2	4150010	A02112	1807985
1AB2VS3	1AA3D5	1400	4150257	8645354	3	4150010	A02112	1807985
1AB2VS4	1AA3C5	1400	4150257	8645354	4	4150010	A02112	1807985
1AB2VS5	1AA3D3	1500	4150258	8645354	5	4150010	A02112	1807985
1AB2VS6	1AA2YF	1600	4150259	8645354	9	4150010	A02112	1807985
1AB2VS7	1AA3D4	1400	4150257	8645354	6	4150010	A02112	1807985
1AB2VS8	1AA3C4	1400	4150257	8645354	7	4150010	A02112	1807985
1AB2VS9	1AA3D2	1500	4150258	8645354	8	4150010	A02112	1807985
1AB2WA0	1AA4YR	400	4150234	8645353	1	4150010	A02100	1807985
1AB2WA1	1AA4YE	520	4150239	8645353	2	4150010	A02100	1807985
1AB2WA2	1AA4YG	420	4150235	8645353	3	4150010	A02100	1807985
1AB2WA3	1AA4YQ	450	4150236	8645353	4	4150010	A02100	1807985
1AB2WA4	1AA4YF	480	4150237	8645353	5	4150010	A02100	1807985
1AB2WA5	1AA4YL	640	4150244	8645353	6	4150010	A02100	1807985
1AB2WA6	1AA4YP	500	4150238	8645353	7	4150010	A02100	1807985
1AB2WA7	1AA4YD	560	4150241	8645353	8	4150010	A02100	1807985
1AB2WA8	1AA4YM	600	4150242	8645353	9	4150010	A02100	1807985
1AB2WA9	1AA4YN	540	4150240	8645353	10	4150010	A02100	1807985
1AB2WJ0	1AA4X2	450	4150236	8645357	4	4150010	A02100	1807985
1AB2WJ1	1AA3YD	1100	4150254	8645357	2	4150010	A02100	1807985
1AB2WJ3	1AA4X3	400	4150234	8645357	5	4150010	A02100	1807985
1AB2WJ6	1AA4X4	400	4150234	8645357	6	4150010	A02100	1807985
1AB2WJ7	1AA2YG	1200	4150255	8645357	1	4150010	A02100	1807985
1AB2WJ8	1AA3W4	620	4150243	8645354	3	4150010	A02112	1807993

CABLE LIST FOR MACHINE 4381

PREV. EC 988664

PRES. EC A09844

FEB 01, 84

LIST PN 8645431 PAGE 13 OF 15

FROM SOCKET	TO SOCKET	LENGTH (MM)	PART NUMBER	HARNESS ASSEMBLY	HARNESS JUMPER	REFERENCE DRAWING	HARNESS EC NUMBER	FEATURE BILL NO.
1AB2WJ9	1AA4X5	420	4150235	8645357	7	4150010	A02100	1807985 —
1AB2WS0	1AA3W2	950	4150252	8645354	12	4150010	A02112	1807993
1AB2WS1	1AA3V4	850	4150250	8645354	15	4150010	A02112	1807993
1AB2WS4	1AA3V3	900	4150251	8645354	16	4150010	A02112	1807993
1AB2WS5	1AA3V5	800	4150249	8645354	17	4150010	A02112	1807993
1AB2WS6	1AA3W5	800	4150249	8645354	13	4150010	A02112	1807993
1AB2WS7	1AA3YC	1300	4150256	8645354	10	4150010	A02112	1807985
1AB2WS8	1AA3W3	900	4150251	8645354	14	4150010	A02112	1807985
1AB2WS9	1AA3V2	950	4150252	8645354	18	4150010	A02112	1807993

CABLE LIST FOR MACHINE 4381

PREV. EC 988664

PRES. EC A09844

FEB 01, 84

LIST PN 8645431 PAGE 14 OF 15

FROM SOCKET	TO SOCKET	LENGTH (MM)	PART NUMBER	HARNESS ASSEMBLY	HARNESS JUMPER	REFERENCE DRAWING	HARNESS EC NUMBER	FEATURE BILL NO.
1ECCA1	1AA2ZG	0000	0000000	1807955	00	8645391	A02112	1807992
1ECCA1	1AA2ZH	0000	0000000	1807955	00	8645390	A02112	1807992
1ECCA3	1AA3B3	0000	0000000	1807944	00	8645391	A02112	1807992
1ECCA3	1AA3B4	0000	0000000	1807944	00	8645390	A02112	1807992
1ECCA5	1AA3B2	0000	0000000	1807944	00	8645391	A02112	1807992
1ECCA5	1AA3B5	0000	0000000	1807944	00	8645390	A02112	1807992
1ECCA8	1AA3YJ	0000	0000000	1807945	00	8645090	A02112	1807922
1ECCA8	1AA3ZA	0000	0000000	1807945	00	8645090	A02112	1807922
1ECCB2	1AA3YL	0000	0000000	1807945	00	8645091	A02112	1807922
1ECCB3	1AA3ZC	0000	0000000	1807945	00	8645091	A02112	1807922
1ECCB4	1AA3YN	0000	0000000	1807946	00	8645391	A02112	1807993
1ECCB6	1AA3YP	0000	0000000	1807946	00	8645391	A02112	1807993
1ECCB7	1AA3ZB	0000	0000000	1807945	00	8645090	A02112	1807922
1ECCB8	1AA3YQ	0000	0000000	1807946	00	8645391	A02112	1807993
1ECCC1	1AA1YM	0000	0000000	1807947	00	8645391	A02112	1807993
1ECCC1	1AA1ZD	0000	0000000	1807947	00	8645390	A02112	1807993
1ECCC2	1AA1YM	0000	0000000	1807947	00	8645390	A02112	1807993
1ECCC2	1AA1ZD	0000	0000000	1807947	00	8645391	A02112	1807993
1ECCC2	1AA1ZD	0000	0000000	1807947	00	8645391	A02112	1807993
1ECCC2	1AA1ZD	0000	0000000	1807947	00	8645391	A02112	1807993
1ECCC3	1AA1B2	0000	0000000	1807947	00	8645391	A02112	1807993
1ECCC3	1AA1B5	0000	0000000	1807947	00	8645390	A02112	1807993
1ECCC3	1AA1B5	0000	0000000	1807947	00	8645390	A02112	1807993
1ECCC3	1AA1B5	0000	0000000	1807947	00	8645390	A02112	1807993
1ECCC4	1AA1B2	0000	0000000	1807947	00	8645390	A02112	1807993
1ECCC4	1AA1B5	0000	0000000	1807947	00	8645391	A02112	1807993
1ECCC4	1AA1B5	0000	0000000	1807947	00	8645391	A02112	1807993

CABLE LIST FOR MACHINE 4381

PREV. EC 988664

PRES. EC A09844

FEB 01, 84

LIST PN 8645431 PAGE 15 OF 15

FROM SOCKET	TO SOCKET	LENGTH (MM)	PART NUMBER	HARNESS ASSEMBLY	HARNESS JUMPER	REFERENCE DRAWING	HARNESS EC NUMBER	FEATURE BILL NO.
1ECCC4	1AA1B5	0000	0000000	1807947	00	8645391	A02112	1807993
1ECCC5	1AA1B3	0000	0000000	1807947	00	8645391	A02112	1807993
1ECCC5	1AA1B3	0000	0000000	1807947	00	8645391	A02112	1807993
1ECCC5	1AA1B3	0000	0000000	1807947	00	8645391	A02112	1807993
1ECCC5	1AA1B4	0000	0000000	1807947	00	8645390	A02112	1807993
1ECCC5	1AA1B4	0000	0000000	1807947	00	8645390	A02112	1807993
1ECCC5	1AA1B4	0000	0000000	1807947	00	8645390	A02112	1807993
1ECCC6	1AA1B3	0000	0000000	1807947	00	8645390	A02112	1807993
1ECCC6	1AA1B3	0000	0000000	1807947	00	8645390	A02112	1807993
1ECCC6	1AA1B3	0000	0000000	1807947	00	8645390	A02112	1807993
1ECCC6	1AA1B4	0000	0000000	1807947	00	8645391	A02112	1807993
1ECCC6	1AA1B4	0000	0000000	1807947	00	8645391	A02112	1807993
1ECCC6	1AA1B4	0000	0000000	1807947	00	8645391	A02112	1807993






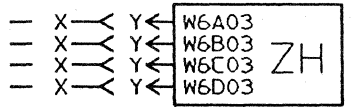
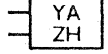
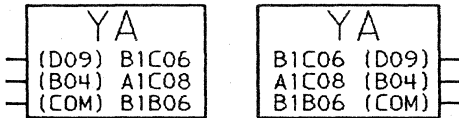
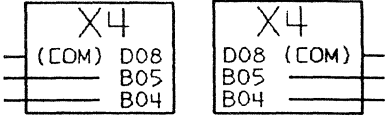
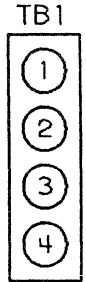
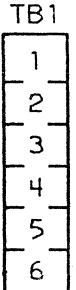
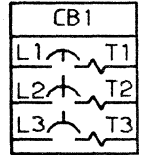

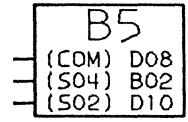
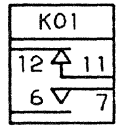
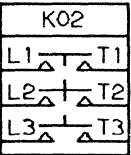
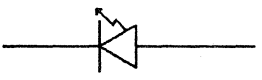



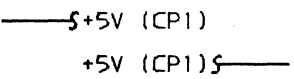
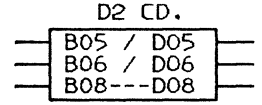
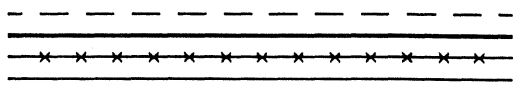
(C) COPYRIGHT INTERNATIONAL BUSINESS MACHINES CORPORATION, 1983.

THE DRAWINGS AND SPECIFICATIONS CONTAINED HEREIN SHALL NOT BE REPRODUCED IN WHOLE OR IN PART WITHOUT WRITTEN PERMISSION.

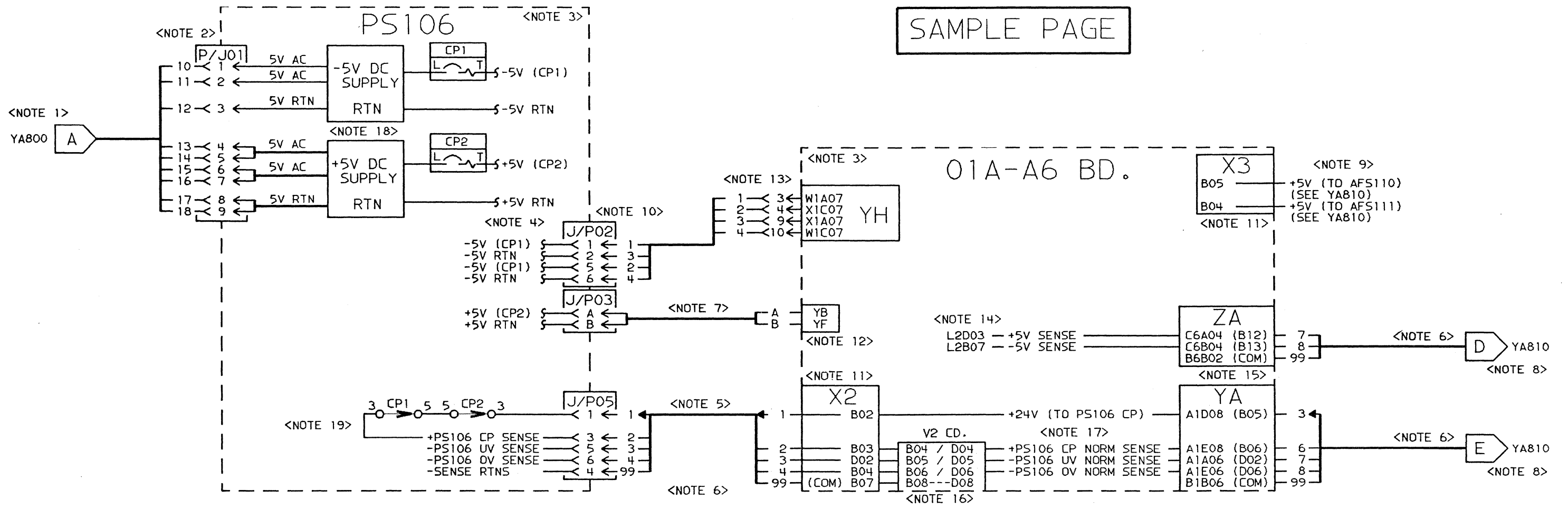
IBM HAS PREPARED THIS MAINTENANCE DOCUMENTATION FOR THE USE OF IBM CUSTOMER ENGINEERS IN THE INSTALLATION, MAINTENANCE AND REPAIR OF THE SPECIFIC MACHINES INDICATED. IBM MAKES NO REPRESENTATIONS THAT IT IS SUITABLE FOR ANY OTHER PURPOSE.

INFORMATION CONTAINED IN THIS DOCUMENTATION IS SUBJECT TO CHANGE FROM TIME TO TIME. CHANGES WILL BE REFLECTED IN SUBSEQUENT REVISIONS.

COPYRIGHT NOTICE		
EC 331496 01AUG83	PN 5665810	YA011
	1 OF 2	

<p>CONNECTORS</p>  <p>P/J INDICATES THE PLUG ON LEFT, AND THE JACK ON RIGHT. J/P INDICATES THE JACK ON LEFT, AND THE PLUG ON RIGHT. → SPECIFIES A MALE PIN. ↘ SPECIFIES A FEMALE PIN.</p>	<p>BOARD VOLTAGE CONNECTORS (DISCRETE WIRE)</p>  <p>ZH SPECIFIES CONNECTOR LOCATION. BOARD PINS SHOWN AT LEFT OF ZH. Y SHOWS THE COMPARABLE CONNECTOR POSITION. X SPECIFIES A NUMBER USED FOR CROSS REFERENCING.</p>	<p>BOARD VOLTAGE CONNECTORS (FDS CABLES)</p>  <p>YA AND ZH ARE THE CONNECTOR LOCATIONS WHERE THE FDS CABLES ARE ATTACHED.</p>	<p>PADDLE CARD CONNECTORS (HORIZONTAL BOARD LOCATIONS)</p>  <p>YA SPECIFIES THE CONNECTOR LOCATION. LOCATIONS IN PARENTHESIS SHOW WHERE WIRES CONNECT ON THE PADDLE CARD. COMPARABLE BOARD PINS ARE SHOWN NEXT TO PADDLE CARD WIRE LOCATIONS.</p>	<p>PADDLE CARD CONNECTORS (VERTICAL BOARD LOCATIONS)</p>  <p>X4 SPECIFIES THE CONNECTOR LOCATION. WITH THESE PADDLE CARDS, THE BOARD PIN LOCATION IS THE SAME AS THE PADDLE CARD PIN. (COM) SHOWS WIRES CONNECTED TO THE COMMONING BUS ON THE PADDLE CARD, AND THEN CONNECTED TO D08.</p>
<p>TERMINAL BUS (SCREW TYPE)</p> 	<p>TERMINAL BUS (JUMPER TYPE)</p> 	<p>CIRCUIT BREAKERS</p>  <p>SYMBOL REPRESENTS A MAGNETIC CIRCUIT BREAKER WITH THREE SETS OF CONTACTS.</p>	<p>CIRCUIT PROTECTORS</p>  <p>CP SYMBOL      CP SENSE POINTS</p>	<p>PADDLE CARD CONNECTORS (RESISTOR DIVIDER CARDS)</p>  <p>B5 SPECIFIES THE CONNECTOR LOCATION. LOCATIONS IN PARENTHESIS SHOW WHERE WIRES CONNECT ON THE PADDLE CARD. LOCATION AT RIGHT SHOWS WHERE THE SIGNAL LEAVES THE PADDLE CARD, AND THE COMPARABLE BOARD PIN.</p>
<p>RELAYS</p>  <p>POINTS 12 TO 11 ARE NORMALLY CLOSED POINTS 6 TO 7 ARE NORMALLY OPEN</p>	<p>CONTACTORS</p>  <p>SYMBOL REPRESENTS A CONTACTOR WITH THREE SETS OF CONTACTS.</p>	<p>LED INDICATOR</p>  <p>THE NAME OF THE INDICATOR IS WRITTEN ABOVE THE LED.</p>	<p>ARROW (ALTERNATE SIGNAL DIRECTION)</p>  <p>GENERALLY, SIGNALS ARE SHOWN FLOWING FROM LEFT TO RIGHT. AN ARROW WILL BE USED TO INDICATE A SIGNAL THAT FLOWS FROM RIGHT TO LEFT.</p>	<p>CAPACITORS (C5, C6, C7, C8)</p>  <p>CAPACITOR SYMBOL      DETAIL OF CAPACITOR</p> <p>TERMINALS A AND B ARE CONNECTED. TERMINALS C AND D ARE CONNECTED.</p>
<p>CROSS REFERENCING (OFF-PAGE CONNECTIONS)</p>  <p>SYMBOL ON LEFT SHOWS SIGNAL COMING IN FROM ANOTHER PAGE. SYMBOL ON RIGHT SHOWS SIGNAL GOING OUT TO ANOTHER PAGE. X IN BLOCK SPECIFIES A COMPARABLE X ON THE PAGE WHERE THE SIGNAL COMES FROM OR GOES TO.</p>	<p>CROSS REFERENCING (CONNECTIONS INSIDE FRUS)</p>  <p>THIS SYMBOL IS USED TO SHOW A SIGNAL INSIDE A FRU THAT IS INTERRUPTED, AND THEN CONTINUED AGAIN AT ANOTHER POINT (OR POINTS) INSIDE THAT FRU.</p>	<p>SIGNALS THROUGH CARDS</p>  <p>BOXED AREA REPRESENTS A CARD IN THE D2 POSITION. / SPECIFIES A SIGNAL THAT CHANGES VALUE WHILE GOING THROUGH A CARD. --- SPECIFIES A SIGNAL THAT GOES THROUGH A CARD WITHOUT BEING CHANGED</p>	<p>LINE TYPES</p>  <p>DASHED LINES USED TO OUTLINE FRUS OR AREAS INSIDE THE MACHINE. HEAVY SOLID LINES USED TO SHOW SIGNALS GROUPED INTO CABLES OR LARGE BOARD LANDS. X'S INDICATE COMPONENTS OR WIRING THAT IS 50 HZ ONLY. ALL OTHER WIRING AND SYMBOLS SHOWN AS MEDIUM SOLID LINES.</p>	

SYMBOLS AND THEIR USAGE		
EC 331496 01AUG83	PN 5665810	YA014
	2 OF 2	



- NOTES:**
- 1 - OFF-PAGE CONNECTION FROM PAGE YA800 'A'.
  - 2 - CONNECTOR P/J01, SHOWING PLUG WITH FEMALE PINS ON CABLE END, AND JACK WITH MALE PINS AS PART OF THE PS106 FRU.
  - 3 - DASHED LINES SHOWING AN AREA OF THE MACHINE, IN THIS CASE A POWER SUPPLY AND A BOARD.
  - 4 - SIGNAL BREAKS SHOW SIGNALS GENERATED AT ONE PART OF A FRU, BEING USED AGAIN AT OTHER POINTS INSIDE THAT FRU.
  - 5 - ARROW SYMBOL REPRESENTS A SIGNAL GOING IN A RIGHT TO LEFT DIRECTION.
  - 6 - HEAVY SOLID LINES SHOW SIGNALS GROUPED INTO A CABLE. NUMBERS ARE USED TO CROSS REFERENCE THE LOCATIONS BEING CONNECTED. IN MOST CASES ONLY A PART OF A CABLE WILL BE SHOWN, NOT THE COMPLETE CABLE.
  - 7 - HEAVY SOLID LINE SHOWS FDS DISTRIBUTION FROM CONN 03-A TO YB, AND FROM CONN 03-B TO YF.
  - 8 - OFF-PAGE CONNECTION TO YA810 'D' AND 'E'.
  - 9 - THIS IS NOT A DIRECT CONNECTION TO ANOTHER PAGE, BUT REFERENCES A PAGE WHERE THE COMPLETE INFORMATION CAN BE FOUND.
  - 10 - CONNECTORS SHOWING JACK AS PART OF PS106 FRU, AND PLUGS ON CABLE END.
  - 11 - PADDLE CARD ON A6 BOARD PLUGGED INTO A VERTICAL CONNECTOR LOCATION.
  - 12 - FDS VOLTAGE CONNECTOR ON A6 BOARD AT THE YB AND YF LOCATIONS.
  - 13 - DISCRETE WIRE VOLTAGE CONNECTOR AT THE YH LOCATION. THE BOARD PIN, CONNECTOR POSITION AND CROSS-REFERENCING NUMBERS ARE SHOWN.
  - 14 - BOARD VOLTAGE SENSE FROM L2D03 AND L2B07 PINS TO THE ZA CONNECTOR.
  - 15 - PADDLE CARD ON A6 BOARD PLUGGED INTO A HORIZONTAL CONNECTOR LOCATION. PARENTHESIS SHOW WHERE CABLE WIRE CONNECTS ON PADDLE CARD, AND THE COMPARABLE BOARD PIN IS GIVEN NEXT TO IT.
  - 16 - SIGNALS THROUGH THE V2 CARD. A '/' INDICATES A SIGNAL THAT CHANGES FROM INPUT TO OUTPUT, '----' SHOWS SIGNALS THAT GO STRAIGHT THROUGH.
  - 17 - NAMES OF VARIOUS SIGNALS. 'NORM' REPRESENTS A SIGNAL THAT IS VOLTAGE DIVIDED OR NORMALIZED TO A SPECIFIC VALUE.
  - 18 - SYMBOL ON POWER SUPPLY THAT SHOWS DC VOLTAGES BEING GENERATED FROM AN AC INPUT.
  - 19 - PS106 CP SENSE SIGNAL PASSING THROUGH CP1 AND CP2 SENSE POINTS.

SYMBOLS AND THEIR USAGE (CONT.)		
EC 331496 01AUG83	PN 5665811	YA021
	1 OF 2	

ABBREVIATION	MEANING
AC	ALTERNATING CURRENT
AFS	AIR FLOW SENSOR
AMD	AIR MOVING DEVICE
ASM	ASSEMBLY
AUX	AUXILIARY
BD	BOARD
BG	BIAS GOOD
C	CAPACITOR
CB	CIRCUIT BREAKER
CD	CARD
CE	CUSTOMER ENGINEER
CMPLT	COMPLETE
COM	COMMON
CONN	CONNECTOR
CONT	CONTINUED
CP	CIRCUIT PROTECTOR
CR	DIODE
CTCA	CHANNEL TO CHANNEL ATTACHMENT
CTRL	CONTROL
CU	CONTROL UNIT
DC	DIRECT CURRENT
DIST	DISTRIBUTION
DSPLY	DISPLAY
EMI	ELECTRO-MAGNETIC INTERFERENCE
F	FUSE
FDS	FLEXIBLE DISTRIBUTION SYSTEM
FRU	FIELD REPLACEABLE UNIT
GND	GROUND
G/Y	GREEN-YELLOW
HZ	HERTZ
IML	INITIAL MICROCODE LOAD
INCMLT	INCOMPLETE

ABBREVIATION	MEANING
IND	INDICATOR
INTLK	INTERLOCK
I/O	INPUT OUTPUT DEVICE
IPO	INSTANT POWER OFF
J	JACK
K	RELAY OR CONTACTOR
L	INDUCTOR
MBC	MAINTENANCE BIAS CONTROLLER
MOD	MODULE
MOT	MOTOR
MSS	MAINTENANCE SUPPORT SUBSYSTEM
$\mu$ F	MICRO FARAD
N	NEUTRAL
N/C	NORMALLY CLOSED
N/O	NORMALLY OPEN
NORM	NORMALIZED (VOLTAGE DIVIDED)
OC	OVER CURRENT
OCP	OPERATOR CONTROL PANEL
OSC	OSCILLATOR
OV	OVER VOLTAGE
P	PLUG
PCA	POWER CONTROLLER ADAPTER
PCC	PRIMARY CONTROL COMPARTMENT
PCI	POWER CONTROL INTERFACE
PH	PHASE
PN	PART NUMBER
PNL	PANEL
PS	POWER SUPPLY
PWR	POWER
R	RESISTOR
RSF	REMOTE SUPPORT FACILITY
RTN	RETURN

ABBREVIATION	MEANING
SBA	SERVICE BUS ADAPTER
SEQ	SEQUENCE
SERV	SERVICE
SP	SUPPORT PROCESSOR
SW	SWITCH
TB	TERMINAL BLOCK
TR	TRANSFORMER
UEPO	UNIT EMERGENCY POWER OFF
UV	UNDER VOLTAGE
V	VOLTS

ABBREVIATIONS		
EC 331496 01AUG83	PN 5665811	YA024
	2 OF 2	

PRIMARY CONTROL COMPARTMENT FRUS				
COMPONENT	DESCRIPTION	PART NUMBER		PAGES SHOWN
		60 HZ (50 HZ JAPAN)	50 HZ EMEA AFE	
C1,C2,C3,C4	.015μF, 3000VAC	4432847	<NOTE 1>	YA154
C5,C6,C7,C8	2μF, 660VAC	5252850	<NOTE 1>	YA161, YA214
CB1	10A MAINLINE MSS	5214256	4109388	YA154
CB2	25A MAINLINE LOGIC	5252506	4120601	YA161
CP1	6A, 240VAC	4473529	<NOTE 1>	YA164
F1	4A, 250V	107665	<NOTE 1>	YA164
F2	2.8A, 250V	2495469	<NOTE 1>	YA154, YA184
FUSE HOLDER	30A, 240V	92752	<NOTE 1>	
K01	5A, 240V	2242321	<NOTE 1>	YA161, YA164, YA191
K02	15A, 240V	5276701	4216213 5276701	YA154, YA194, YA304
K03	15A, 240V	5214059	<NOTE 1>	YA154, YA161, YA204 YA304
K04	40A, 600V (60 HZ) 25A, 600V (50 HZ)	2128748	4216171 2561149	YA161, YA214
L1	3 PHASE INDUCTOR	4494304	4494305	YA161, YA214

COOLING RELATED FRUS			
COMPONENT	PART NUMBER		PAGES SHOWN
	60 HZ	50 HZ EMEA AFE	
AIR INLET SENSOR 101	8483012	<NOTE 1>	YA311
AFS101	5578666	<NOTE 1>	YA311
AFS102	5578666	<NOTE 1>	YA304
AFS103	8645604	<NOTE 1>	YA304
AFS104	8645604	<NOTE 1>	YA304
AFS105	5578666	<NOTE 1>	YA304
AMD101	8644938	8645454	YA311
AMD102	8644937	8645455	YA304
AMD103	8644936	8645456	YA304
AMD104	8644936	8645456	YA304
AMD105	8644936	8645456	YA304

TRANSFORMER AND POWER SUPPLY FRUS				
COMPONENT	DESCRIPTION	PART NUMBER		PAGES SHOWN
		60 HZ	50 HZ EMEA AFE	
CP2	(TR104 A,B,C) 15A, 415V	<NOTE 3>	2745127	YA214
F1	(TR102) 3.2A, 250V	107664	<NOTE 1>	YA194
F1	(TR103) 4A, 250V	107665	<NOTE 1>	YA204
F1,F2,F3,F4	(PS104) 15A, 600V	4155096	<NOTE 1>	YA221
F5,F6,F7,F8	(PS104) 6A, 600V	4155082	<NOTE 1>	YA221
F9	(PS104) 1.6A, 500V	4494279	<NOTE 1>	YA221
TR100	CONVENIENCE OUTLETS	5252645	<NOTE 1>	YA164
TR101	CONTROL	4494280	2722844	YA154, YA184
TR102	MSS	4494290	2722845	YA194
TR103	BIAS	4494300	2722846	YA204
TR104 (A,B,C)	ISOLATION	<NOTE 3>	4494307	YA214
PS101	CONTROL	4494310	<NOTE 1>	YA184, YA191, YA274
PS102	MSS	4494320	<NOTE 1>	YA194, YA201
PS103	BIAS	4494330	<NOTE 1>	YA204, YA211
PS104	AC/DC UNIT	8645451	<NOTE 1>	YA221
PS105	1.5V	4494150 OR 4494199	<NOTE 1>	YA224
PS106	4.3V	4494100 OR 4494190	<NOTE 1>	YA224
PS107	6V	4494225	<NOTE 1>	YA234
PS108	DISTRIBUTION UNIT	4494350	<NOTE 1>	YA241
PS108 - 5V	5V	4494200	<NOTE 1>	YA241
PS108 - 8.5V	8.5V	4494250	<NOTE 1>	YA241
PS109	5V	4494200	<NOTE 1>	YA244

MISCELLANEOUS FRUS			
COMPONENT	PART NUMBER		PAGES SHOWN
	60 HZ	50 HZ EMEA AFE	
SERVICE PANEL	256530	<NOTE 1>	YA191, YA284, YA291
PCI PANEL	8485197	8485194 8485197	YA294
TB1 SENSE CAPS	8645791	<NOTE 1>	YA224
PS105 DUMMY LOAD	1806762	<NOTE 1>	YA224
UEPD SW	4521305	<NOTE 1>	YA184
PCC INTLK SW	8645625	<NOTE 1>	YA161, YA311
O1A-B2 MICRO SW	8645625	<NOTE 1>	YA224
CE KEY SW	740513	<NOTE 1>	YA281
C9,C10,C11,C12	401403	<NOTE 1, NOTE 2>	YA231
C13,C14,C15,C16	8633860	<NOTE 1, NOTE 2>	YA241, YA244

NOTES:  
1 - THE 50 HZ PART NUMBER IS THE SAME AS 60 HZ.  
2 - COMPONENTS USED WITH SOURCE 2 STORAGE ONLY.  
3 - COMPONENT NOT USED WITH 60 HZ, EXCEPT IN JAPAN.  
THE 60 HZ PART NUMBER IS THE SAME AS 50 HZ.

FRU LIST AND PAGE LOCATIONS		
EC 331497 04NOV83	PN 5665812	YA031
EC 331498 15DEC83	1 OF 2	AA
EC 331499 01OCT84		

PADDLE CARD	PAGES SHOWN
01A-A1 BD.	
X2	YA191, YA204, YA214, YA311
X3	YA191, YA281
X4	YA191, YA281
X5	YA191, YA281, YA301
YG	YA184, YA194, YA204, YA214, YA281
YH	YA191, YA201, YA281, YA304
YM	YA184, YA204, YA214, YA281, YA311
YN	YA094, YA231, YA281, YA301
ZC	YA201, YA231, YA234
ZF	YA191, YA201
01A-A2 BD.	
A2	YA201, YA221, YA224, YA231, YA304
A3	YA201, YA211
A4	YA201, YA234, YA241, YA244, YA304
A5	YA084, YA201, YA211, YA231, YA234, YA241, YA244, YA304, YA311
B2	YA084, YA201, YA231
B3	YA094, YA201
B4	YA201
B5	YA091, YA201, YA231, YA234
YA	YA184, YA204, YA214, YA274, YA311
YB	YA094, YA224, YA231, YA274, YA301
YC	YA231
YF	YA231
YJ	YA201, YA274
ZC	YA274
ZE	YA201
01A-A3 BD.	
YH	YA201, YA211, YA231, YA234
01A-A4 BD.	
ZA	YA211, YA231, YA241, YA244

PCC CONNECTOR	PAGES SHOWN
J01	YA161, YA191, YA194, YA204, YA214
J02	YA154, YA184
J03	YA161, YA204, YA214, YA311
J04	YA154, YA194
J05	YA154, YA304
J06	YA154, YA194
J07	YA154, YA194
J08	YA154, YA304
J10	YA154, YA311
J11	YA154, YA311
J12	YA161, YA204
J14	YA161, YA214

PAGE LOCATIONS OF PADDLE CARDS AND PCC CONNECTORS		
EC 331497 04NOV83	PN 5665812	YA034
EC 331498 15DEC83	2 OF 2	AA
EC 331499 01OCT84		

50 AND 60 HZ WYE / DELTA CONVERSION TABLE		
WYE JUMPER CONNECTIONS	DELTA JUMPER CONNECTIONS	PAGES SHOWN
380V, 400V, 415V (50 HZ)	200V, 220V (50 HZ) 200/208V, 220V, 240V (60 HZ)	
PCC TB1-5 TO PCC TB1-4 PCC TB1-6 TO PCC TB1-4 PCC TB1-7 TO PCC TB1-4 PCC TB2-5 TO PCC TB2-4 CP2-L1 TO TB3-4 CP2-C1 TO TB3-4 CP2-R1 TO TB3-4	PCC TB1-5 TO PCC TB1-1 PCC TB1-6 TO PCC TB1-2 PCC TB1-7 TO PCC TB1-3 PCC TB2-5 TO PCC TB2-2 CP2-L1 TO TB3-1 CP2-C1 TO TB3-2 CP2-R1 TO TB3-3	YA154 YA154 YA154 YA161 YA214 YA214 YA214

TRANSFORMER TERMINAL BUS CONNECTIONS - 60 HZ.					
MAINLINE VOLTAGE		200/208	220	240	PAGES SHOWN
TRANSFORMER INPUT VOLTAGE	COMMON	200/208	220	240	
TR 100	TB1-1	TB1-2	TB1-3	TB1-3	YA164
TR 101	TB1-1	TB1-2	TB1-3	TB1-4	YA154, YA184
TR 102	TB1-1	TB1-2	TB1-3	TB1-4	YA194
TR 103	TB1-1	TB1-2	TB1-3	TB1-4	YA204
TR 104 (A,B,C)	TB1-1	TB1-2	<NOTE 2>	TB1-4	YA204

<NOTE 2>

TRANSFORMER TERMINAL BUS CONNECTIONS - 50 HZ.							
MAINLINE VOLTAGE		200	220	380	400	415	PAGES SHOWN
TRANSFORMER INPUT VOLTAGE	COMMON	200	220	220	230	240	
<NOTE 1>	TR 100	TB1-1	TB1-2	TB1-3	<NOTE 1>	<NOTE 1>	YA164
	TR 101	TB1-1	TB1-2	TB1-3	TB1-4	TB1-5	YA154, YA184
	TR 102	TB1-1	TB1-2	TB1-3	TB1-4	TB1-5	YA194
	TR 103	TB1-1	TB1-2	TB1-3	TB1-4	TB1-5	YA204
<NOTE 2>	TR 104 (A,B,C)	TB1-1	TB1-2	TB1-3	TB1-4	TB1-4	YA214

<NOTE 1>

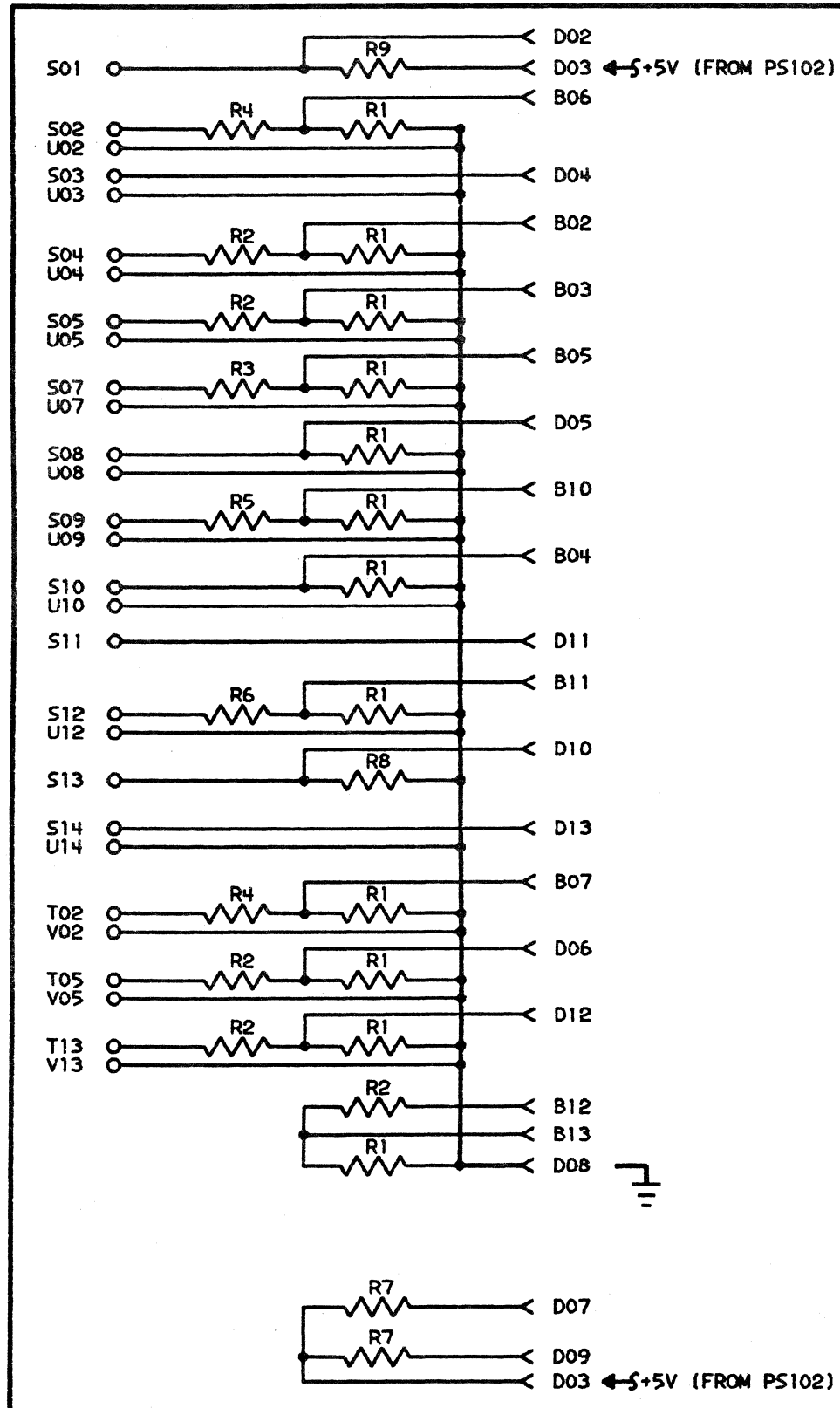
<NOTE 2>

NOTES:  
 1 - TR100 IS INSTALLED IN ALL 60 HZ MACHINES. TR100 IS ALSO INSTALLED IN 200V AND 220V 50 HZ MACHINES INSTALLED IN JAPAN.  
 2 - TR104 IS INSTALLED IN ALL 50 HZ MACHINES. TR104 IS ALSO INSTALLED IN 200/208V AND 240V 60HZ MACHINES INSTALLED IN JAPAN.

VOLTAGE CONVERSION TABLES		
EC 331497 04NOV83	PN 5665814	YA081
EC 331498 15DEC83	1 OF 2	
EC 331499 01OCT84		

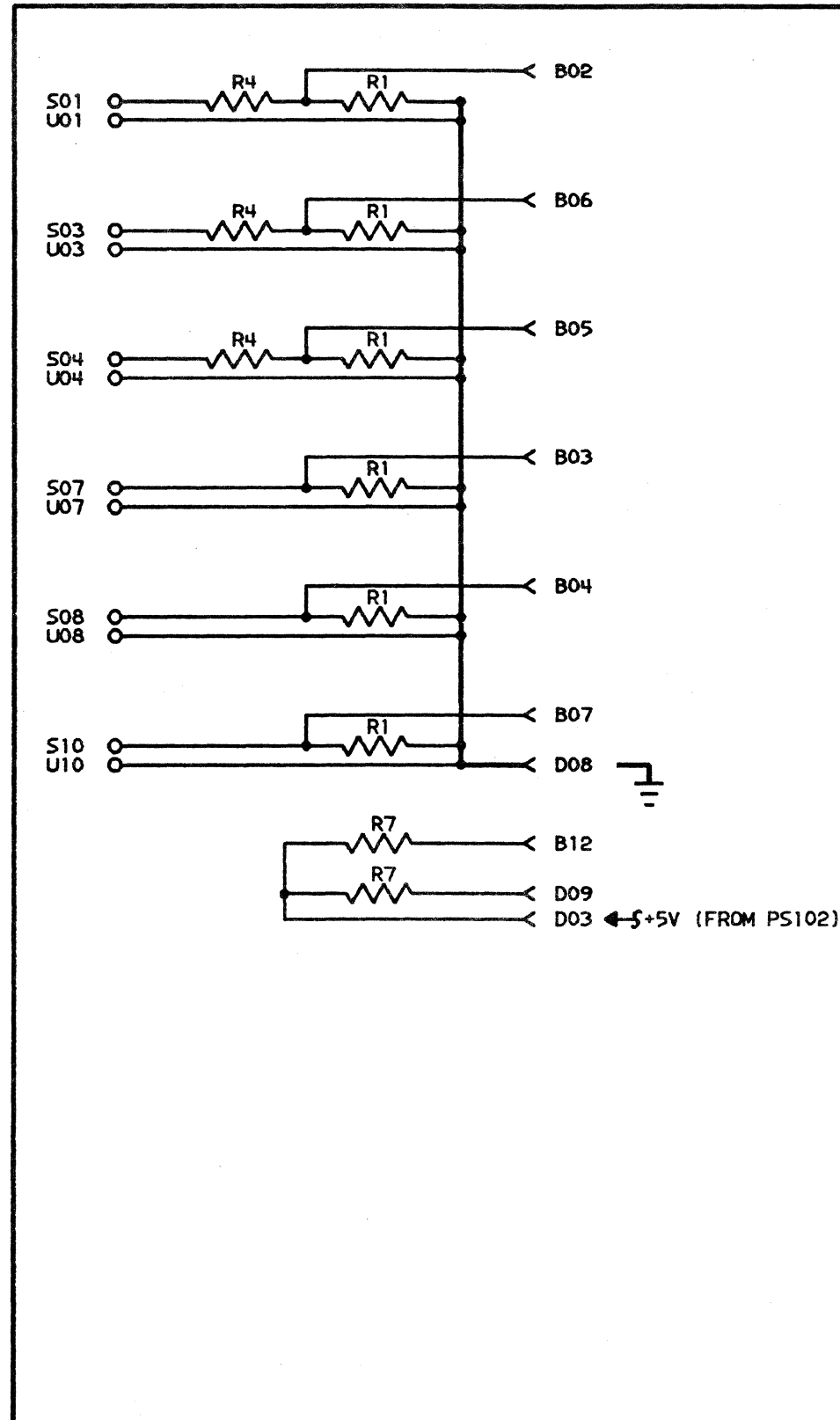
01A-A2-A5 PADDLE CARD

<NOTE 1>

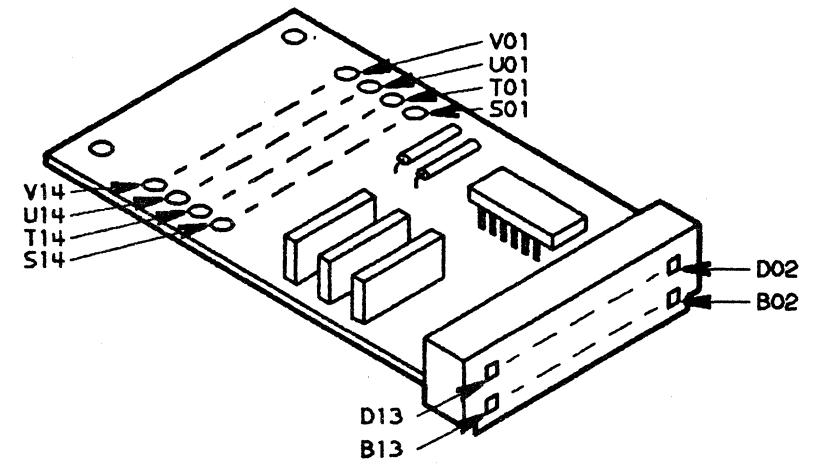


01A-A2-B2 PADDLE CARD

<NOTE 1>



TYPICAL PADDLE CARD I/O CONFIGURATION



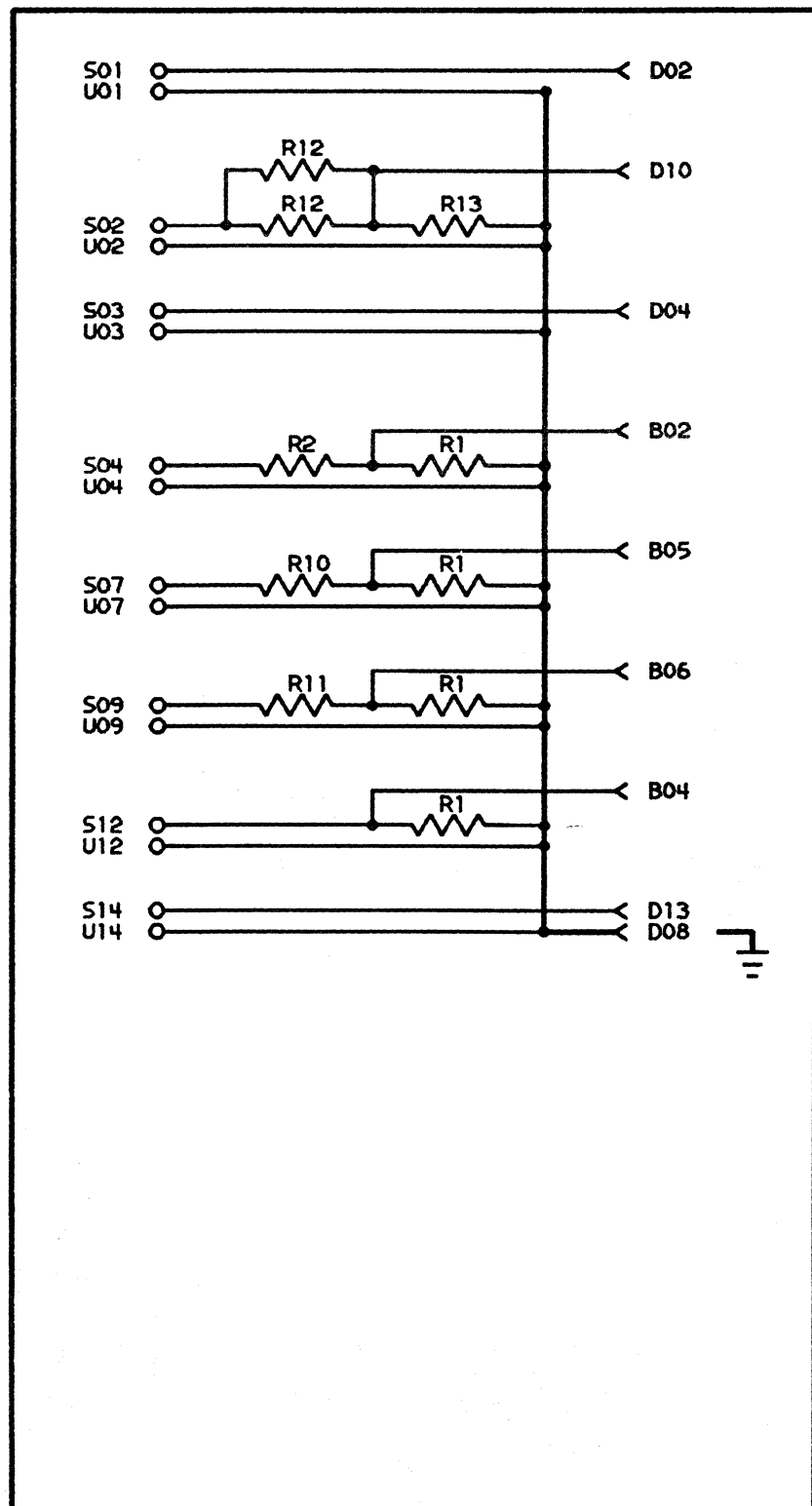
NOTE:  
THE 'U' AND THE 'V' ROWS OF THE PADDLE CARDS ARE CONNECTED TO THE D08 PIN.

NOTES:  
1 - PADDLE CARD RESISTOR VALUES LOCATED ON YA091.

PADDLE CARD RESISTOR NETWORKS		
EC 331497 04NOV83	PN 5665814	YA084
EC 331498 15DEC83	2 OF 2	
EC 331499 01OCT84		

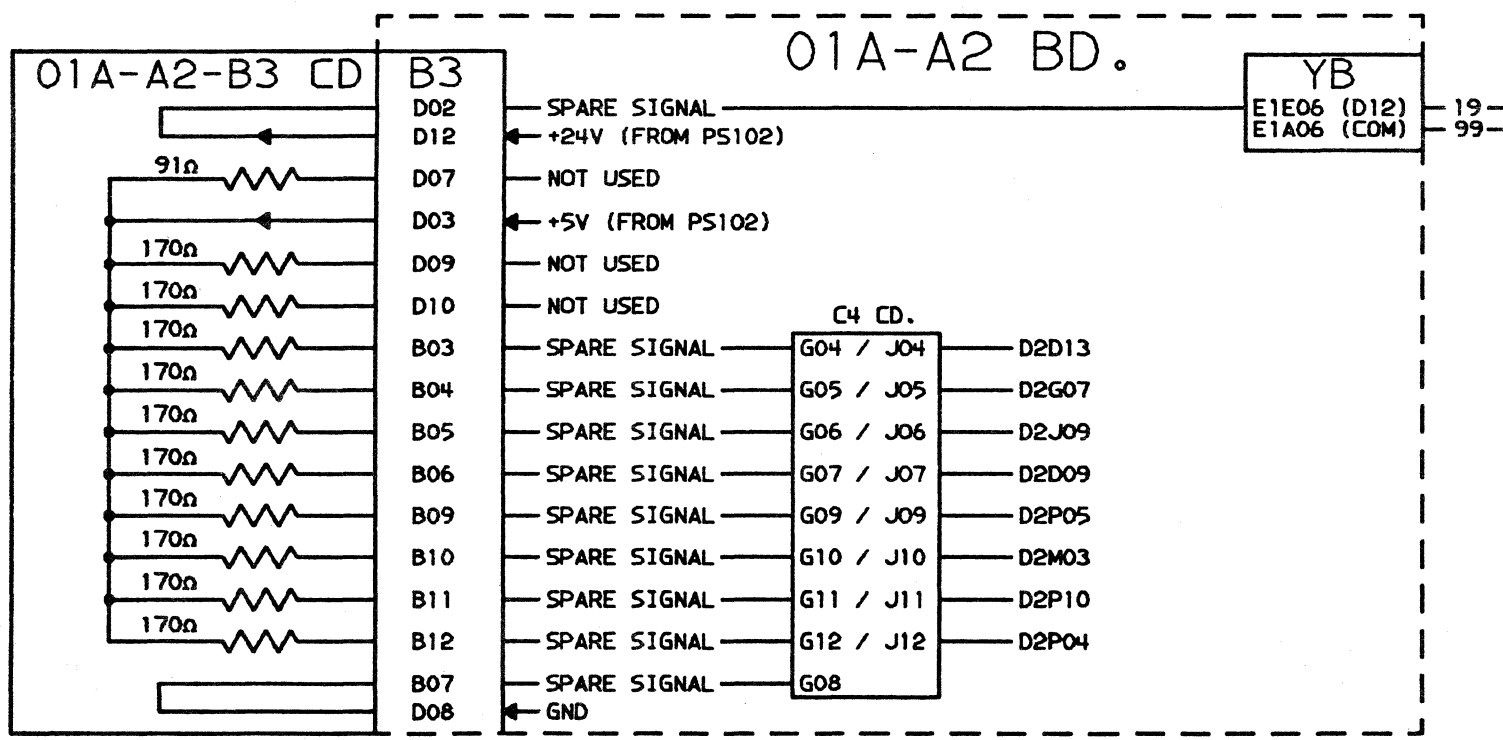
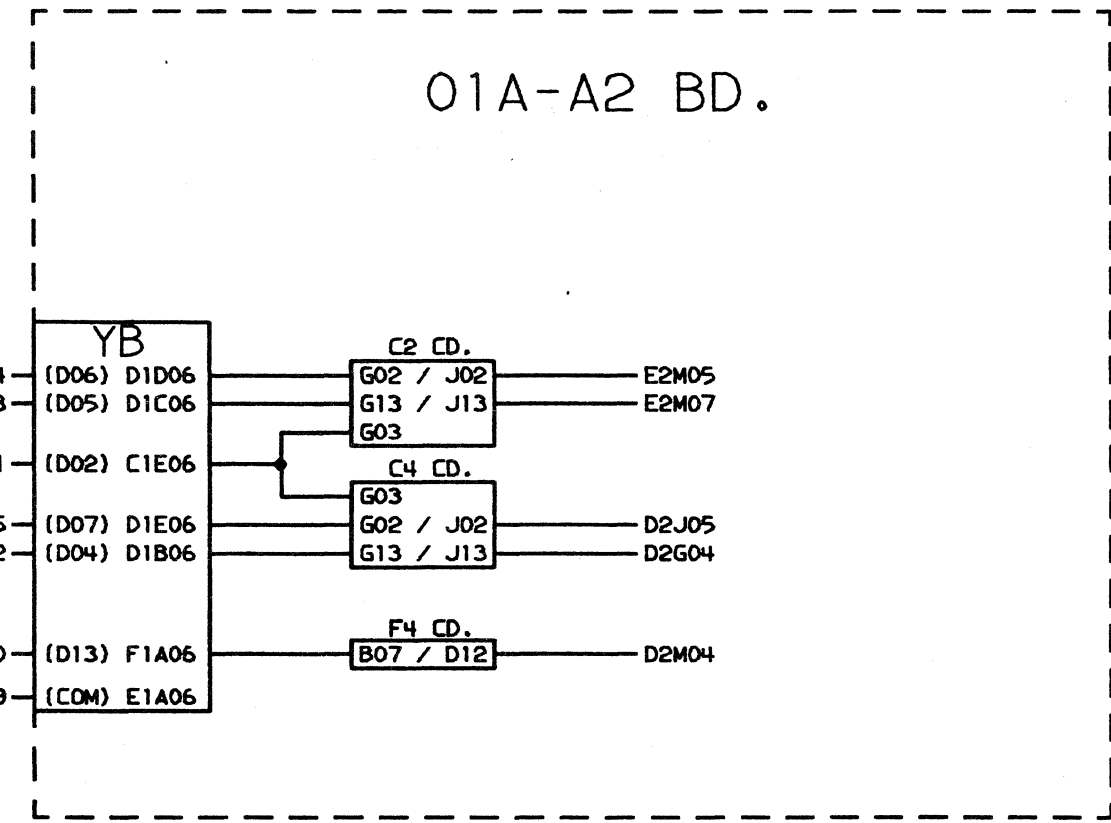
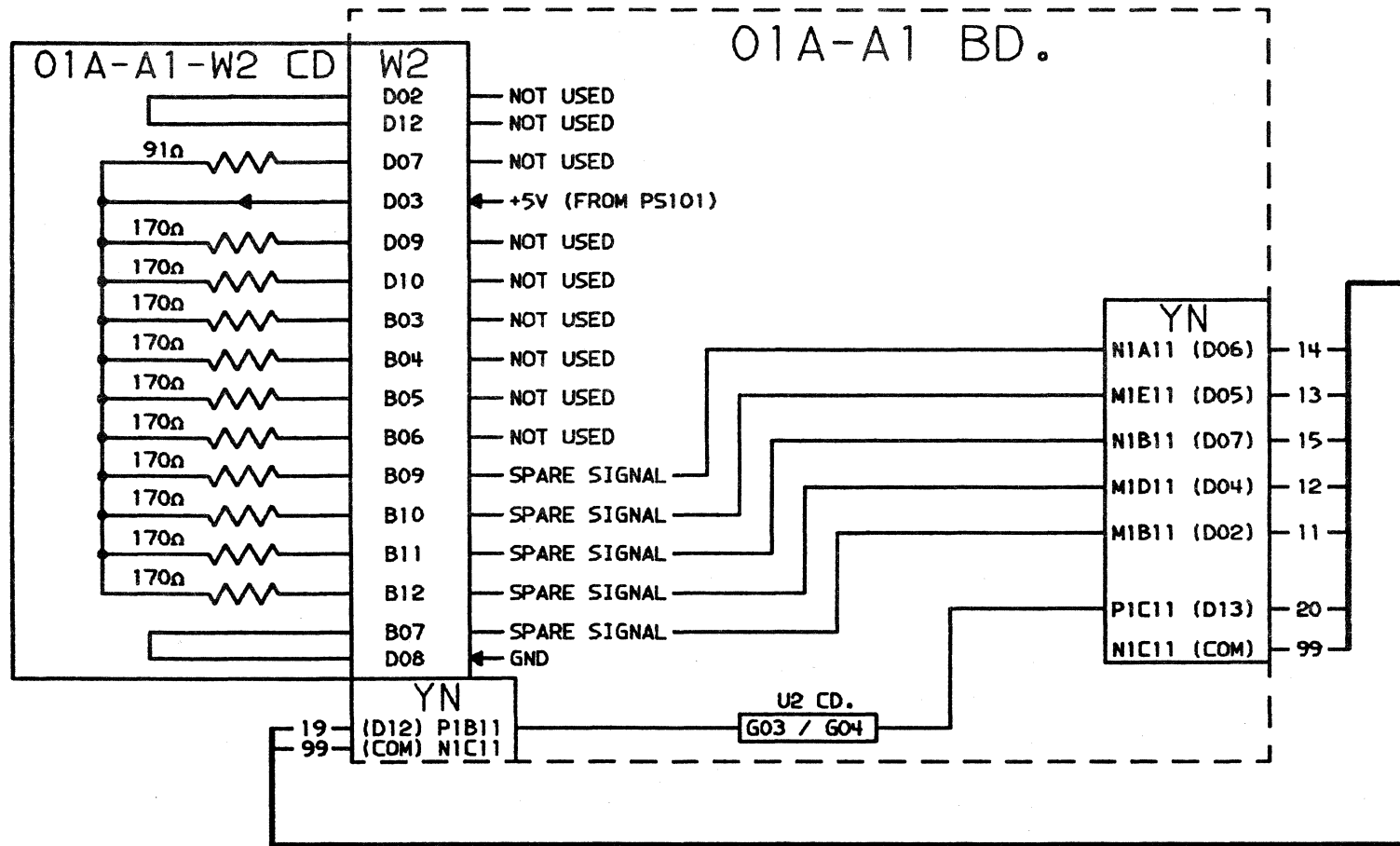


01A-A2-B5 PADDLE CARD



PADDLE CARD RESISTOR VALUES

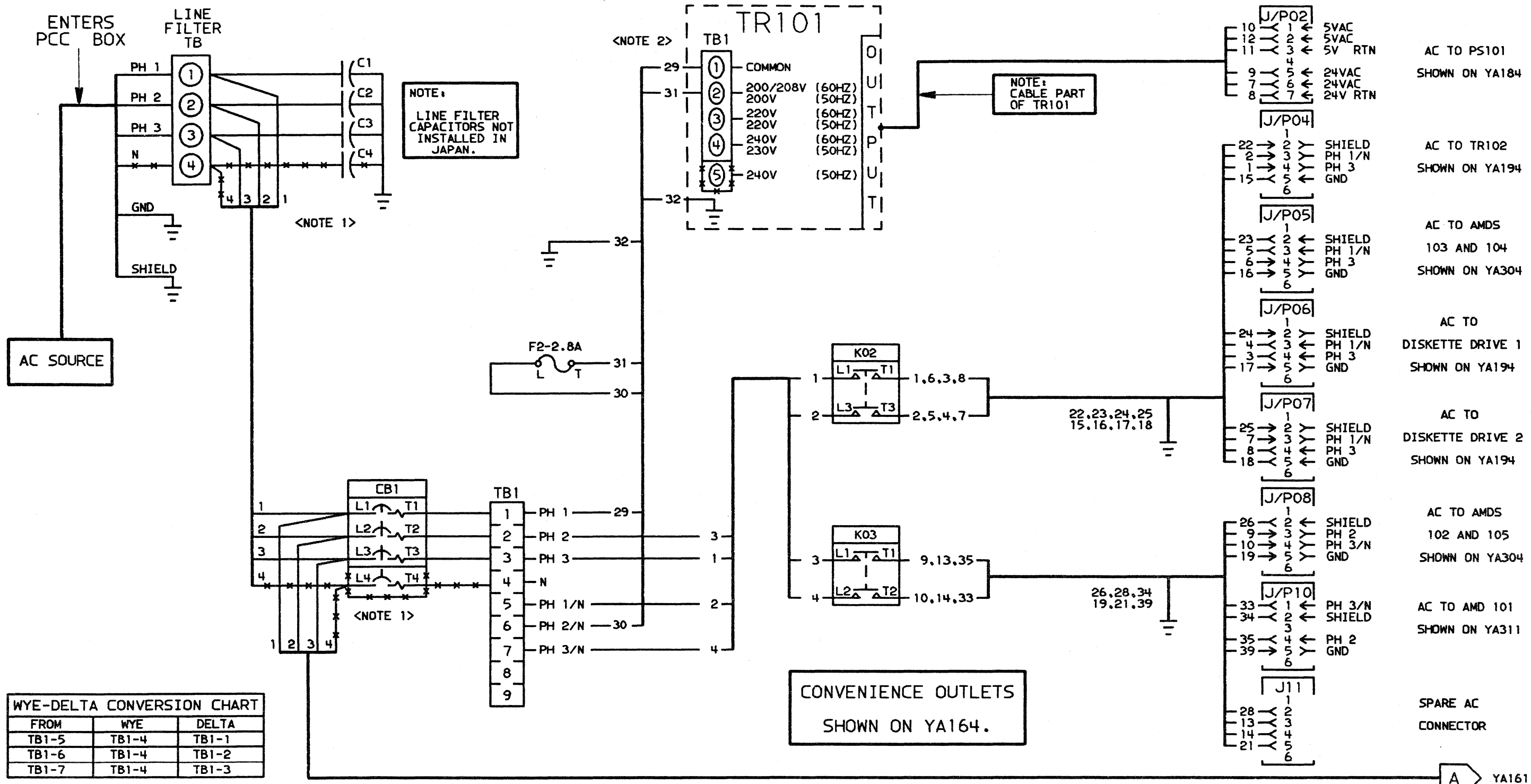
RESISTOR NUMBER	ACCEPTABLE RESISTANCE RANGE		
R1	143	-	157 OHMS
R2	332	-	368 OHMS
R3	428	-	472 OHMS
R4	270	-	295 OHMS
R5	665	-	735 OHMS
R6	66.5	-	73.5 OHMS
R7	350	-	430 OHMS
R8	990	-	1010 OHMS
R9	351	-	430 OHMS
R10	427	-	473 OHMS
R11	270	-	301 OHMS
R12	1800	-	2200 OHMS
R13	162	-	198 OHMS



TIE UP CARDS FOR SPARE SIGNALS		
EC 331496 01AUG83	PN 5665815	YA094
EC 331499 01OCT84	2 OF 2	AA

THIS PAGE LEFT INTENTIONALLY BLANK

EC 331496 01AUG83	PN 5665816	YA151
EC 331498 15DEC83	1 OF 2	AA
EC 331499 01OCT84		



NOTE 1:  
LINE FILTER CAPACITORS NOT INSTALLED IN JAPAN.

<NOTE 2>

NOTE: CABLE PART OF TR101

<NOTE 1>

<NOTE 1>

WYE-DELTA CONVERSION CHART

FROM	WYE	DELTA
TB1-5	TB1-4	TB1-1
TB1-6	TB1-4	TB1-2
TB1-7	TB1-4	TB1-3

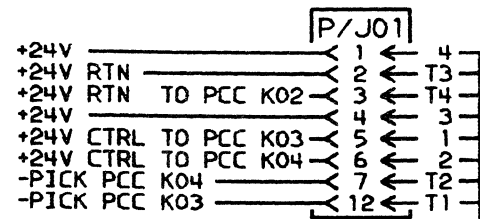
NOTES:  
1 - \*-\*-\* INDICATES COMPONENT OR WIRING THAT IS 50 HZ ONLY. NEUTRAL WIRE IS NOT INSTALLED IN 200V OR 220V 50 HZ MACHINES INSTALLED IN JAPAN.  
2 - SEE YA081 FOR VOLTAGE CONVERSION TABLES.

PRIMARY CONTROL COMPARTMENT

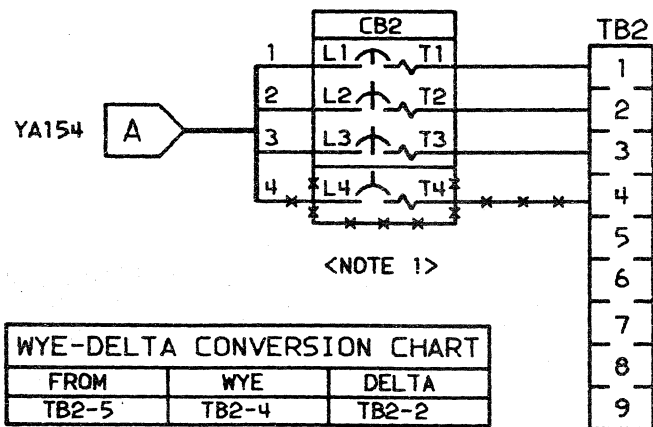
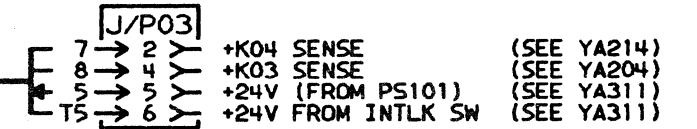
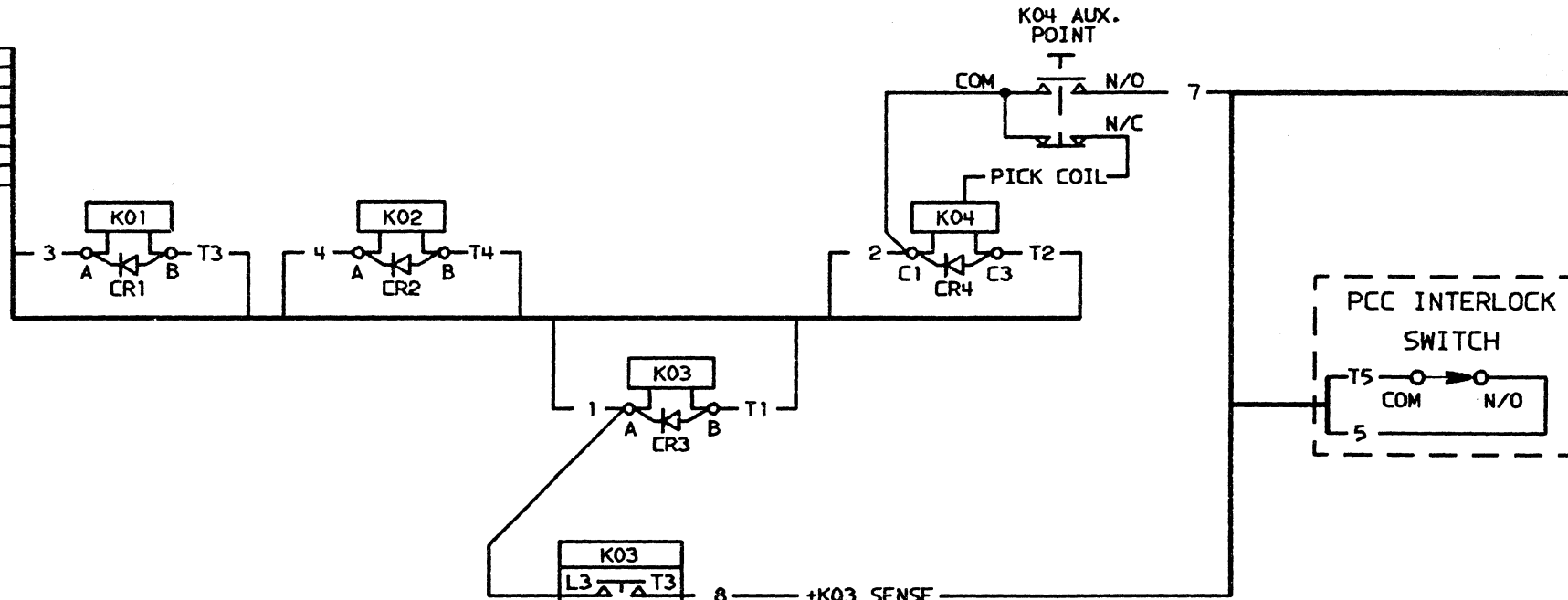
PCC - AC INPUT AND TB1 DISTRIBUTION

EC 331496 01AUG83	PN 5665816	YA154
EC 331498 15DEC83	2 OF 2	AA
EC 331499 01OCT84		

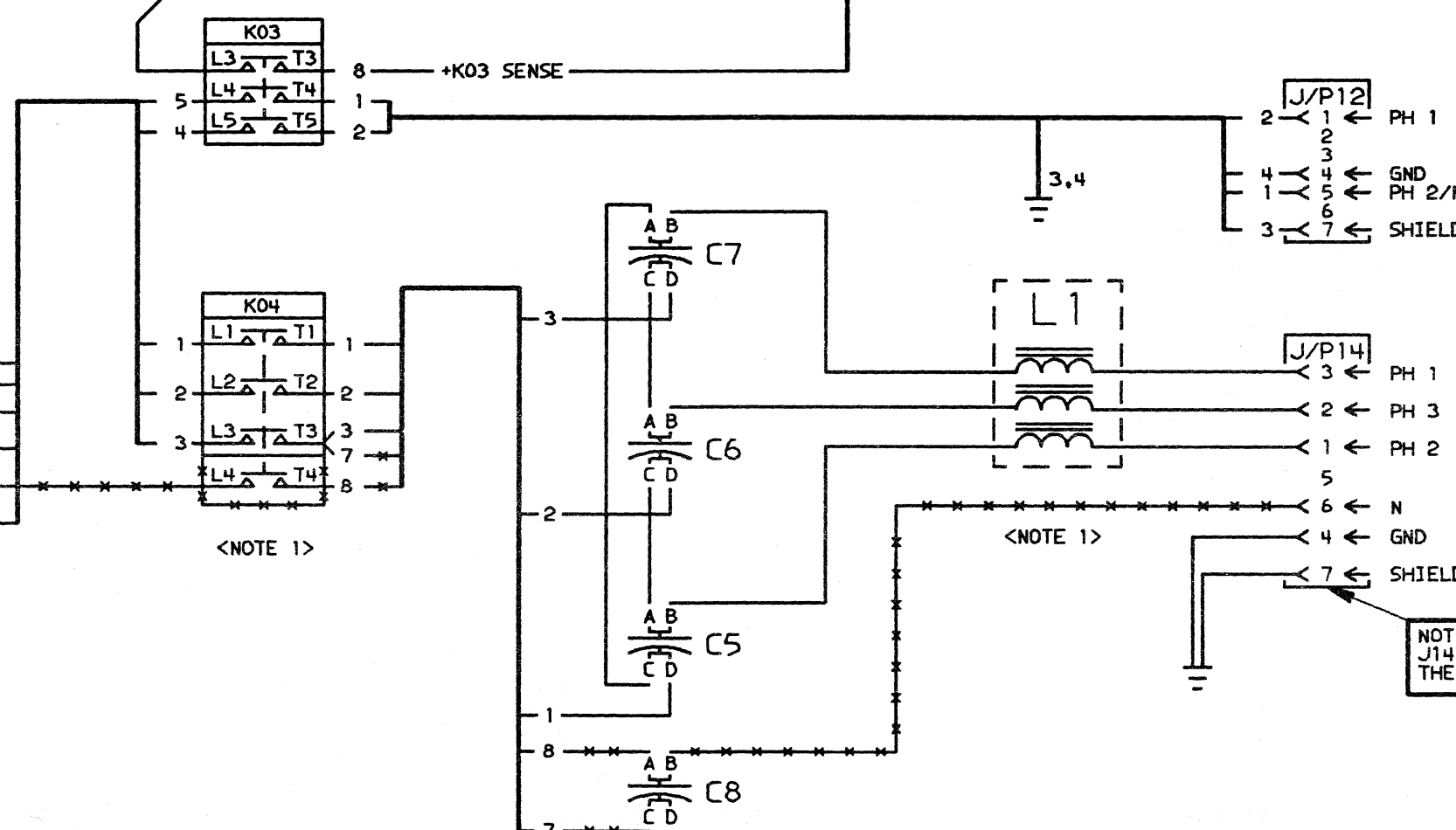
A YA161



SEE YA184 AND YA191  
FOR CONTACTOR  
CONTROL INFORMATION.



NOTES:  
1 - \*-\*-\* INDICATES COMPONENT OR WIRING THAT IS 50 HZ ONLY. NEUTRAL WIRE IS NOT INSTALLED IN 200V OR 220V 50 HZ MACHINES INSTALLED IN JAPAN.



AC TO TR103  
SHOWN ON YA204

AC TO  
PS104 (60 HZ)  
OR  
TR104 (50 HZ)  
SHOWN ON YA214

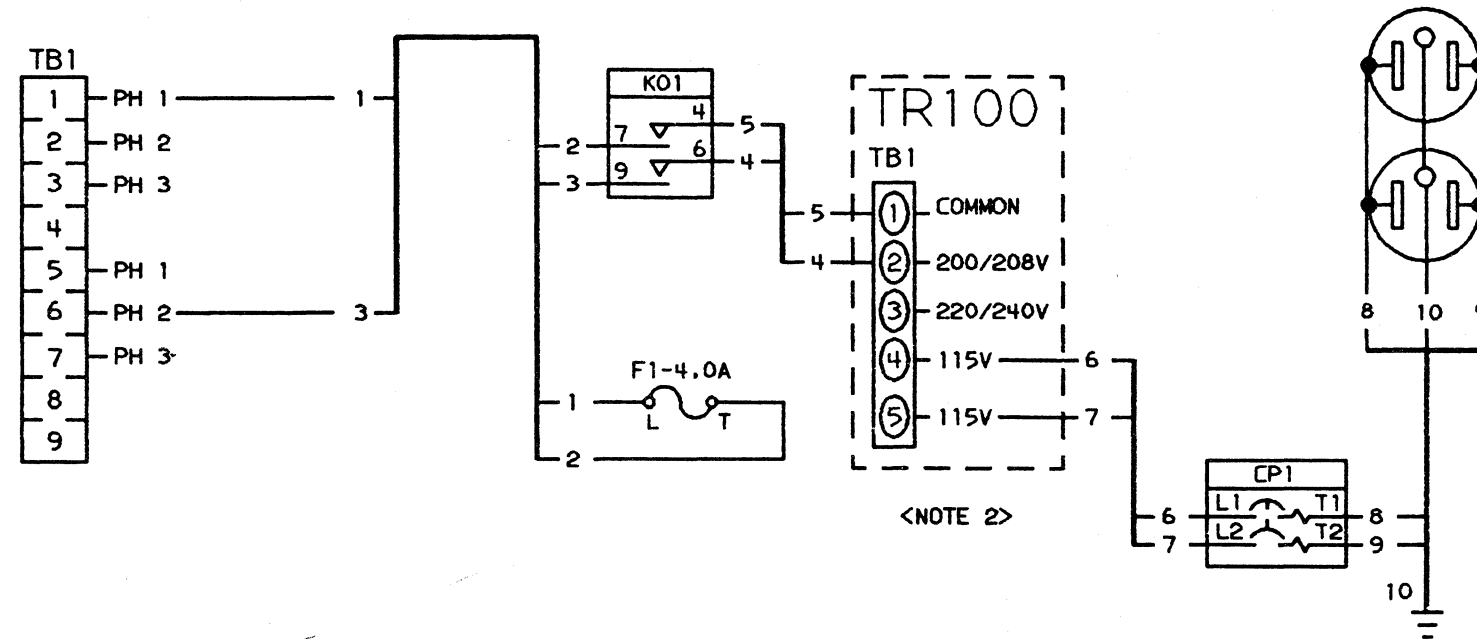
NOTE: J14 IS PART OF THE L1 ASSEMBLY

PRIMARY CONTROL COMPARTMENT

PCC - PICK COILS AND TB2 DISTRIBUTION		
EC 331496 01AUG83	PN 5665817	YA161
EC 331498 15DEC83	1 OF 2	
EC 331499 01OCT84		

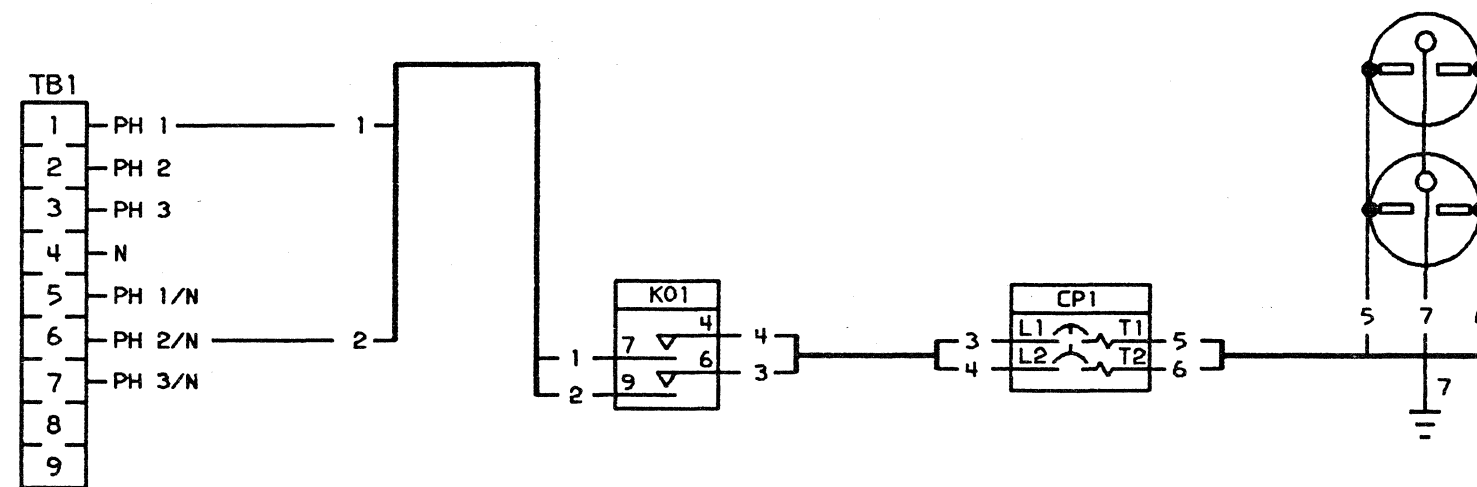
## 60 HZ CONVENIENCE OUTLETS <NOTE 1>

SEE YA154  
FOR TB1 JUMPERING,  
AND TB1 DISTRIBUTION  
INFORMATION



## 50 HZ CONVENIENCE OUTLETS <NOTE 1>

SEE YA154  
FOR TB1 JUMPERING,  
AND TB1 DISTRIBUTION  
INFORMATION



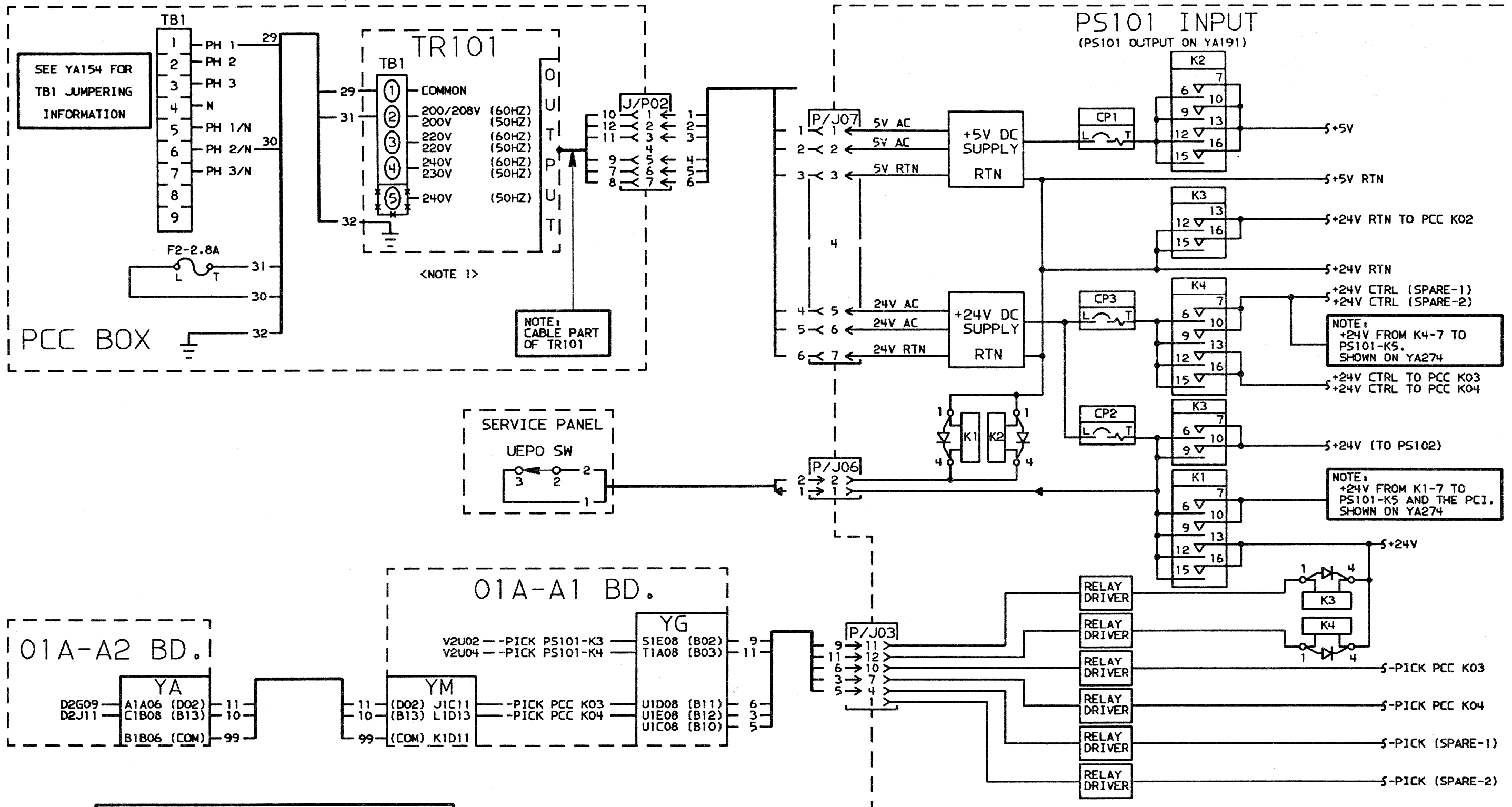
**NOTES:**  
1 - FOR 200V AND 220V 50 HZ MACHINES INSTALLED IN JAPAN, USE THE 60 HZ CONVENIENCE OUTLET CIRCUIT.  
2 - SEE YA081 FOR VOLTAGE CONVERSION TABLES.

PRIMARY CONTROL COMPARTMENT

PCC - CONVENIENCE OUTLETS		
EC 331496 01AUG83	PN 5665817	
EC 331498 15DEC83	2 OF 2	YA164
EC 331499 01OCT84		

THIS PAGE LEFT INTENTIONALLY BLANK

EC 331496 01AUG83	PN 5665818	
EC 331499 01OCT84	1 OF 2	YA181



SEE YA154 FOR TB1 JUMPING INFORMATION

PCC BOX

<NOTE 1>

NOTE: CABLE PART OF TR101

SERVICE PANEL

UEPO SW

01A-A1 BD.

01A-A2 BD.

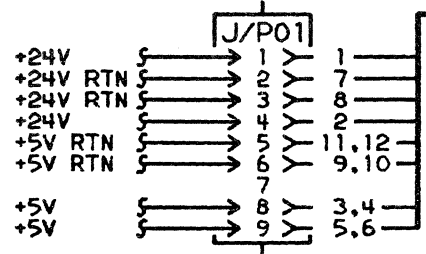
NOTES:  
1 - SEE YA081 FOR VOLTAGE CONVERSION TABLES.

TR/PS101 DISTRIBUTION		
EC 331496 01AUG83	PN 5665818	YA184
EC 331499 01OCT84	2 OF 2	

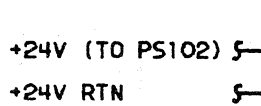
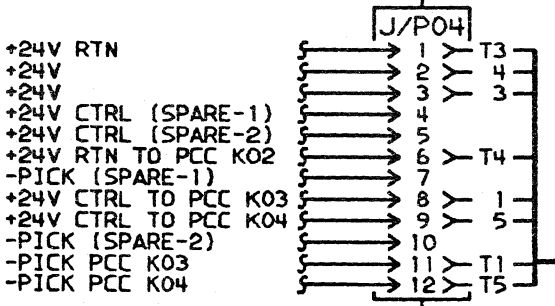
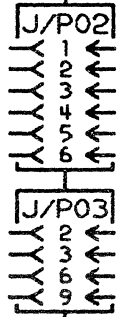


**PS101 OUTPUT**

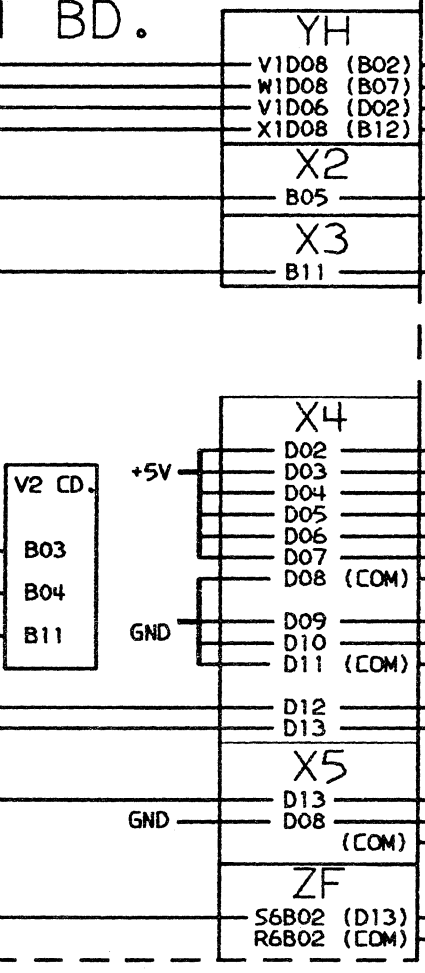
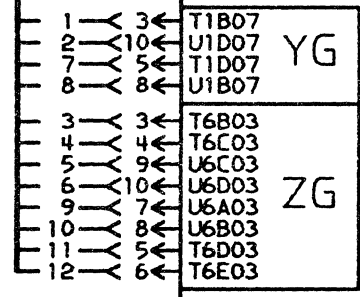
(PS101 INPUT ON YA184)



PS101-J02, J03  
PCI SIGNALS  
SHOWN ON YA274

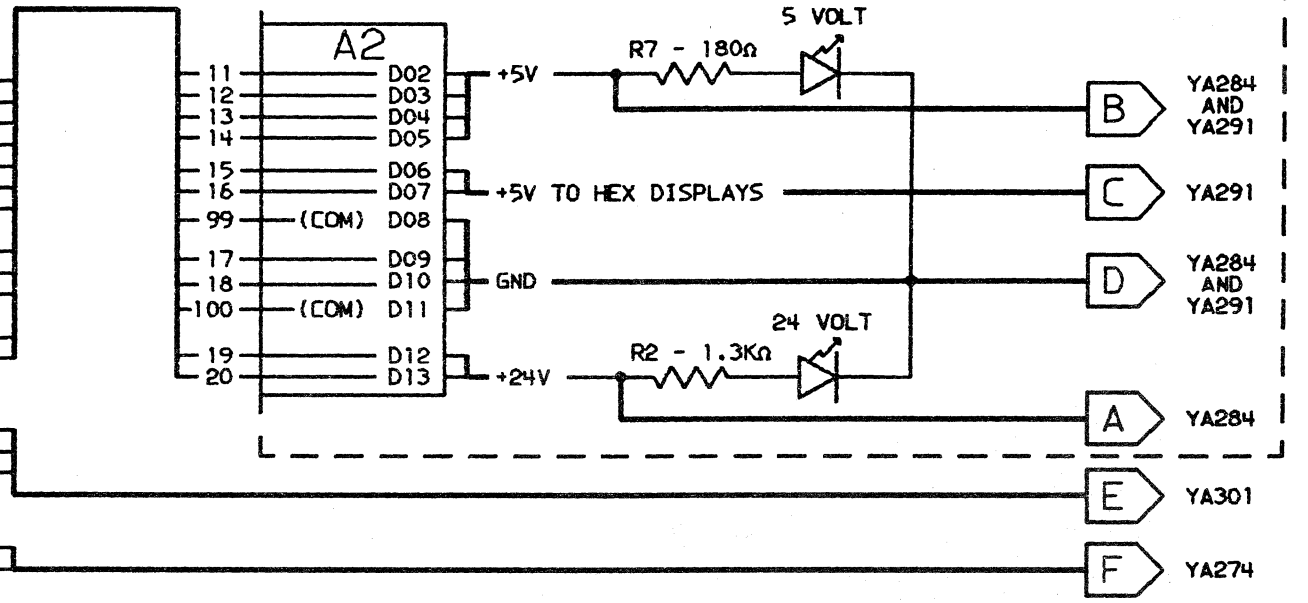


**01A-A1 BD.**

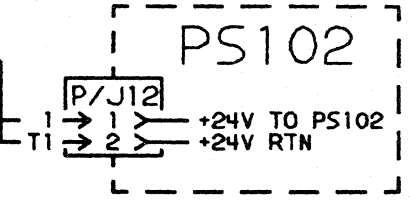
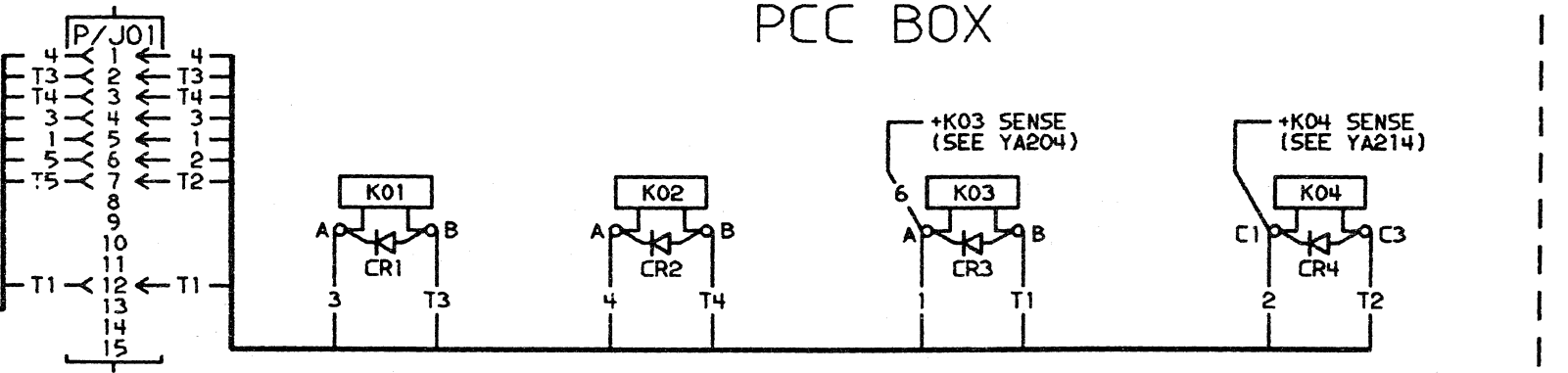


- V1D08 (B02) +24V (TO AFS103) (SEE YA304)
- W1D08 (B07) +24V (TO AFS104) (SEE YA304)
- V1D06 (D02) +24V (TO PS102 CP'S) (SEE YA201)
- X1D08 (B12) +24V (TO PS102 CP2) (SEE YA201)
- B05 +24V (TO PCC INTLK SW) (SEE YA311)
- B11 +24V (TO I/O HOLD SW) (SEE YA281)

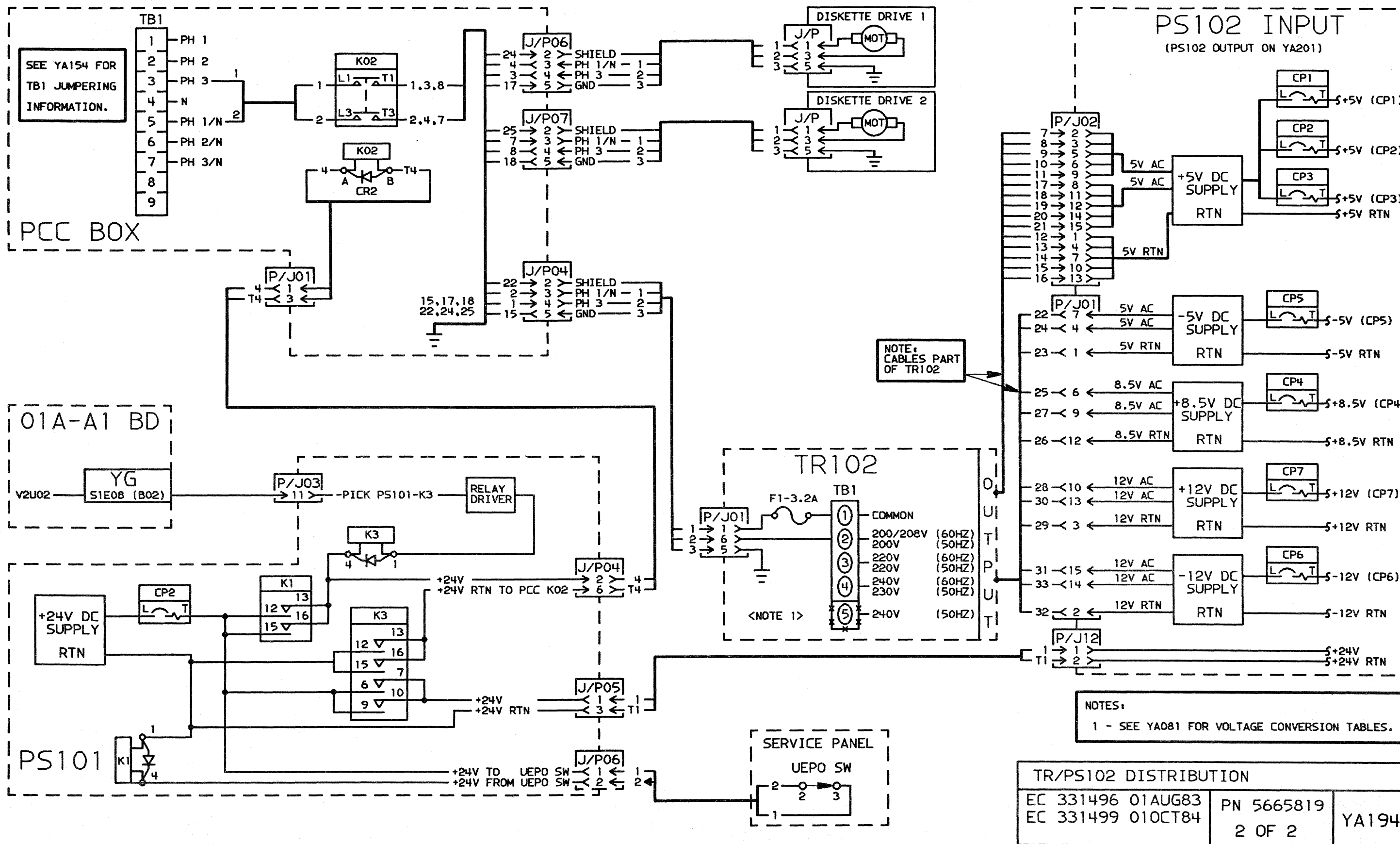
**SERVICE PANEL**



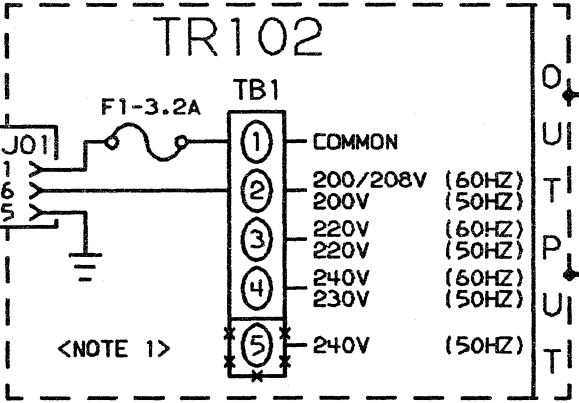
**PCC BOX**



TR/PS101 DISTRIBUTION (CONT.)		
EC 331496 01AUG83	PN 5665819	YA191
EC 331499 01OCT84	1 OF 2	



NOTE: CABLES PART OF TR102

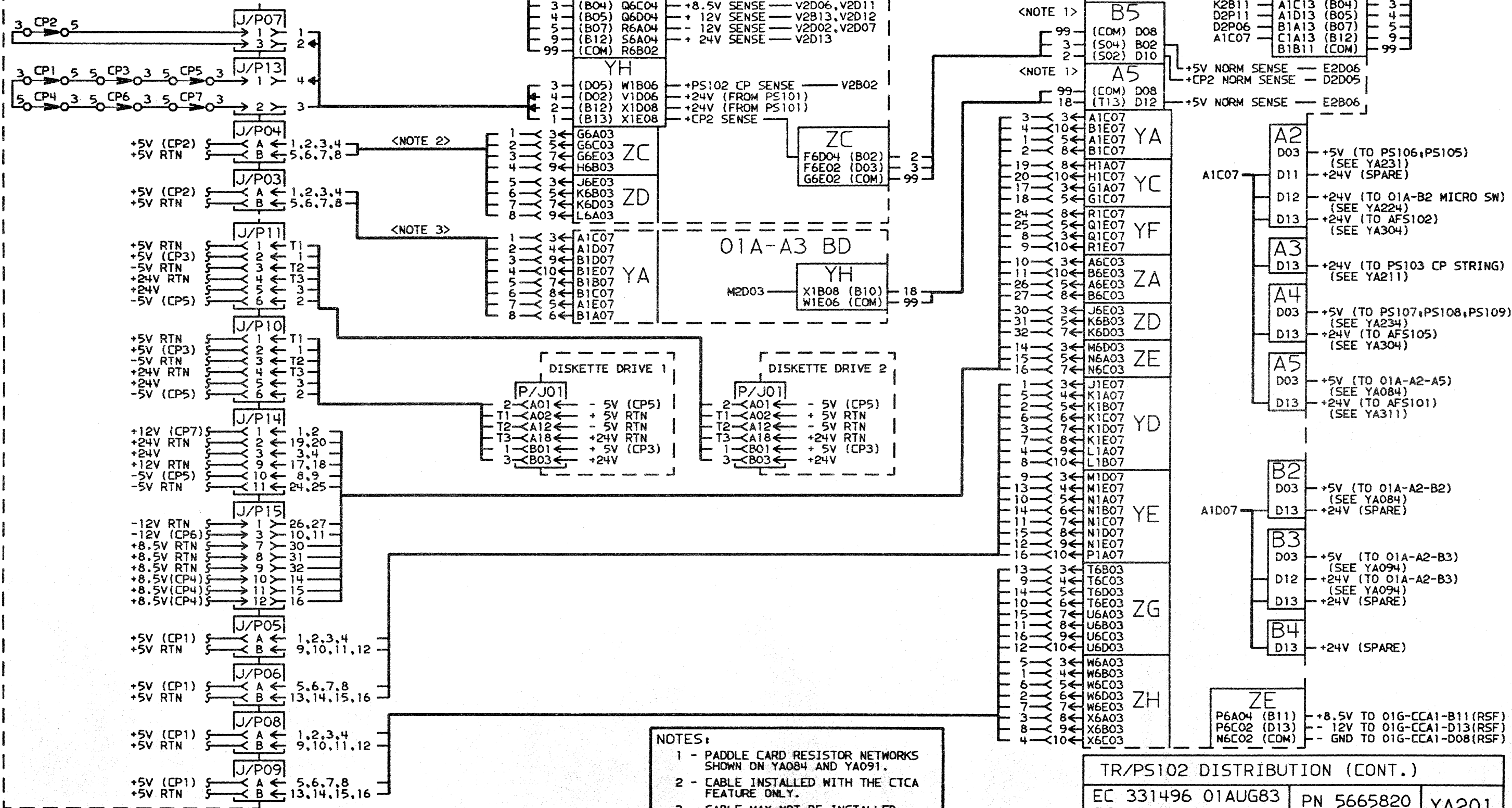


NOTES:  
1 - SEE YA081 FOR VOLTAGE CONVERSION TABLES.

TR/PS102 DISTRIBUTION		
EC 331496 01AUG83	PN 5665819	YA194
EC 331499 01OCT84	2 OF 2	

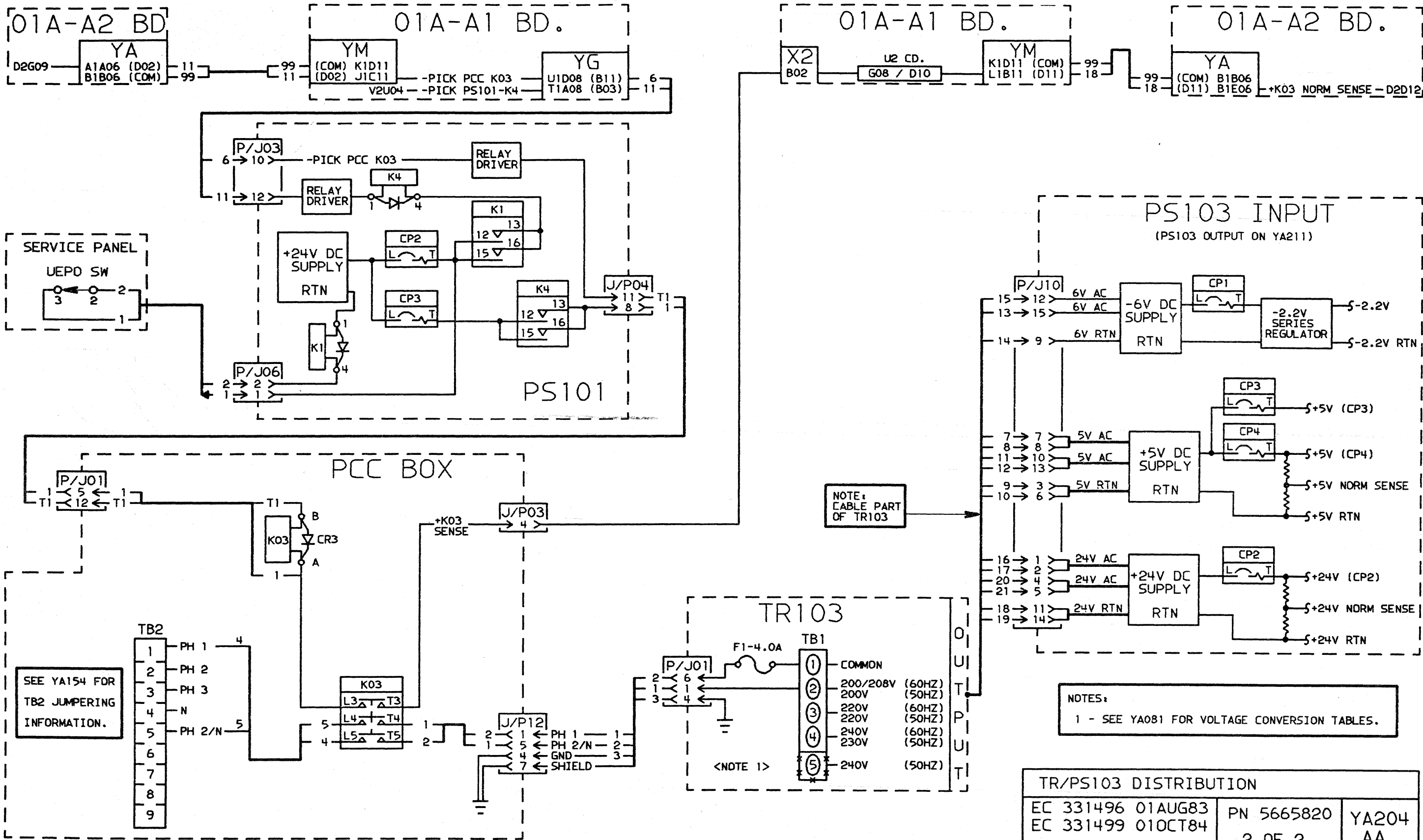
# PS102 OUTPUT

(PS102 INPUT ON YA194)



- NOTES:**
- 1 - PADDLE CARD RESISTOR NETWORKS SHOWN ON YA084 AND YA091.
  - 2 - CABLE INSTALLED WITH THE CTCA FEATURE ONLY.
  - 3 - CABLE MAY NOT BE INSTALLED.

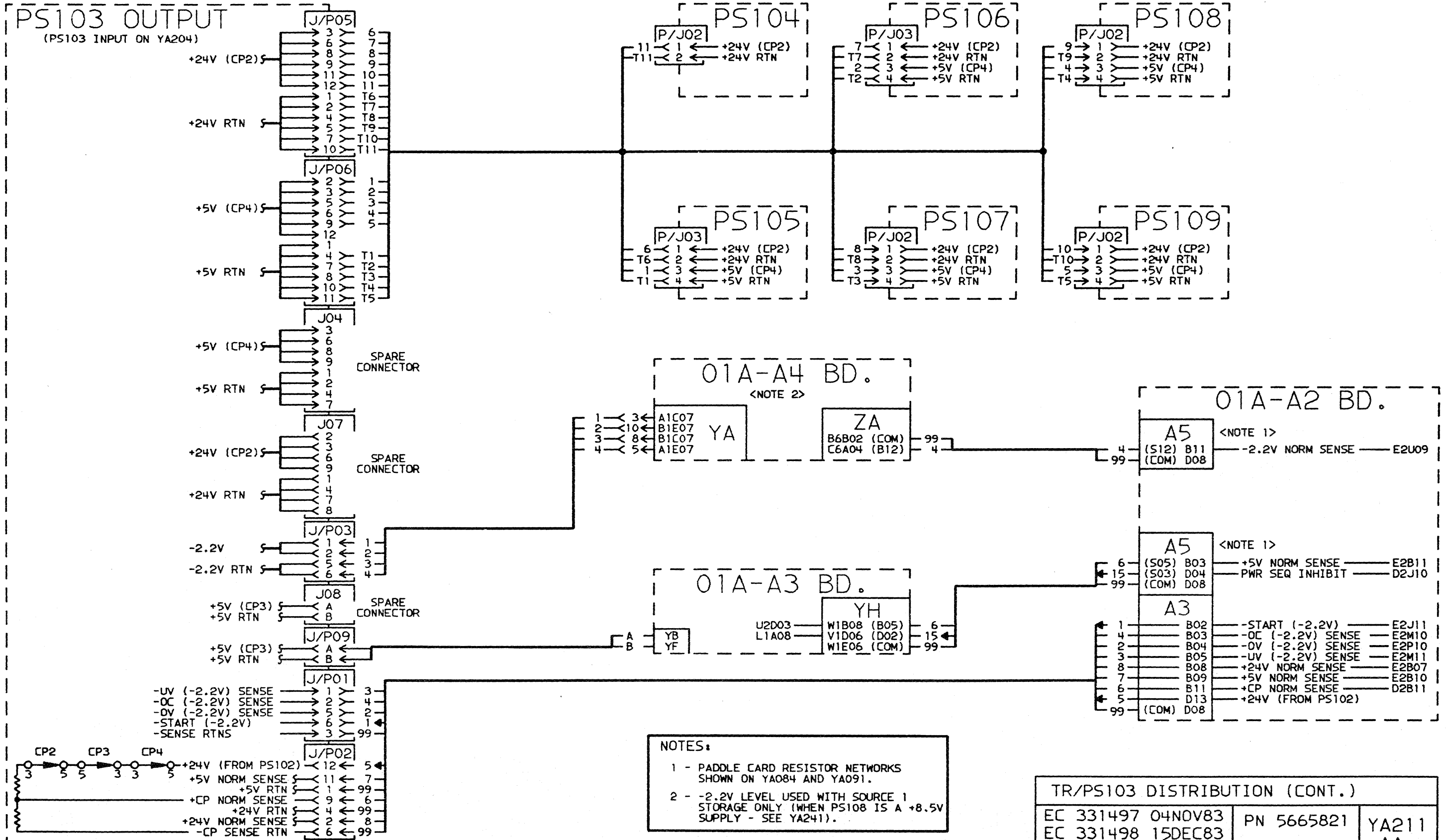
TR/PS102 DISTRIBUTION (CONT.)		
EC 331496 01AUG83	PN 5665820	YA201
EC 331499 01OCT84	1 OF 2	AA



NOTE: CABLE PART OF TR103

NOTES:  
1 - SEE YA081 FOR VOLTAGE CONVERSION TABLES.

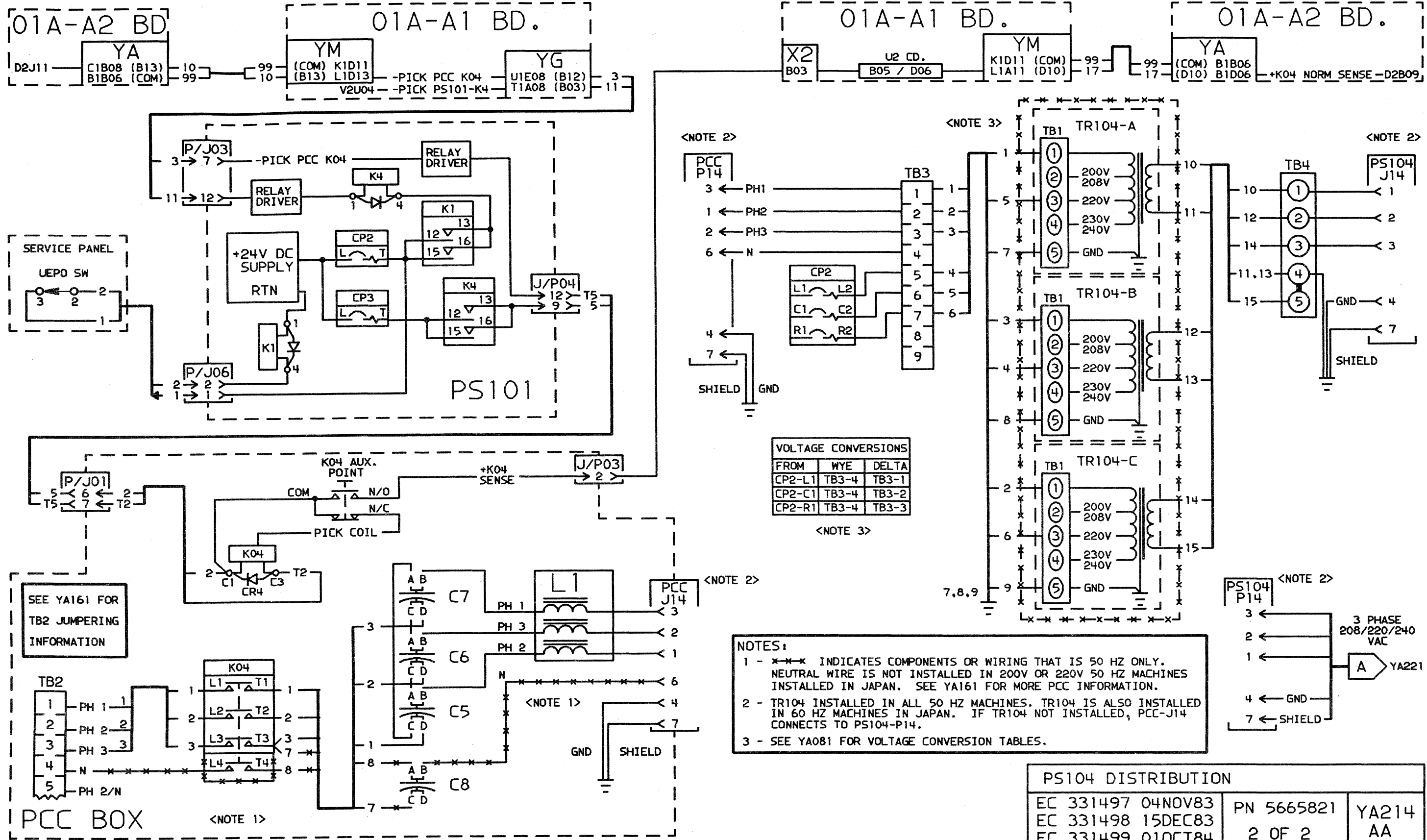
TR/PS103 DISTRIBUTION		
EC 331496	01AUG83	PN 5665820
EC 331499	01OCT84	2 OF 2
		YA204 AA



NOTES:

- 1 - PADDLE CARD RESISTOR NETWORKS SHOWN ON YA084 AND YA091.
- 2 - -2.2V LEVEL USED WITH SOURCE 1 STORAGE ONLY (WHEN PS108 IS A +8.5V SUPPLY - SEE YA241).

TR/PS103 DISTRIBUTION (CONT.)		
EC 331497 04NOV83	PN 5665821	YA211
EC 331498 15DEC83	1 OF 2	AA
EC 331499 01OCT84		



**NOTES:**

- 1 - \*-\*-\* INDICATES COMPONENTS OR WIRING THAT IS 50 HZ ONLY. NEUTRAL WIRE IS NOT INSTALLED IN 200V OR 220V 50 HZ MACHINES INSTALLED IN JAPAN. SEE YA161 FOR MORE PCC INFORMATION.
- 2 - TR104 INSTALLED IN ALL 50 HZ MACHINES. TR104 IS ALSO INSTALLED IN 60 HZ MACHINES IN JAPAN. IF TR104 NOT INSTALLED, PCC-J14 CONNECTS TO PS104-P14.
- 3 - SEE YA081 FOR VOLTAGE CONVERSION TABLES.

**VOLTAGE CONVERSIONS**

FROM	WYE	DELTA
CP2-L1	TB3-4	TB3-1
CP2-C1	TB3-4	TB3-2
CP2-R1	TB3-4	TB3-3

**PS104 DISTRIBUTION**

EC 331497 04NOV83	PN 5665821	YA214
EC 331498 15DEC83	2 OF 2	AA
EC 331499 01OCT84		

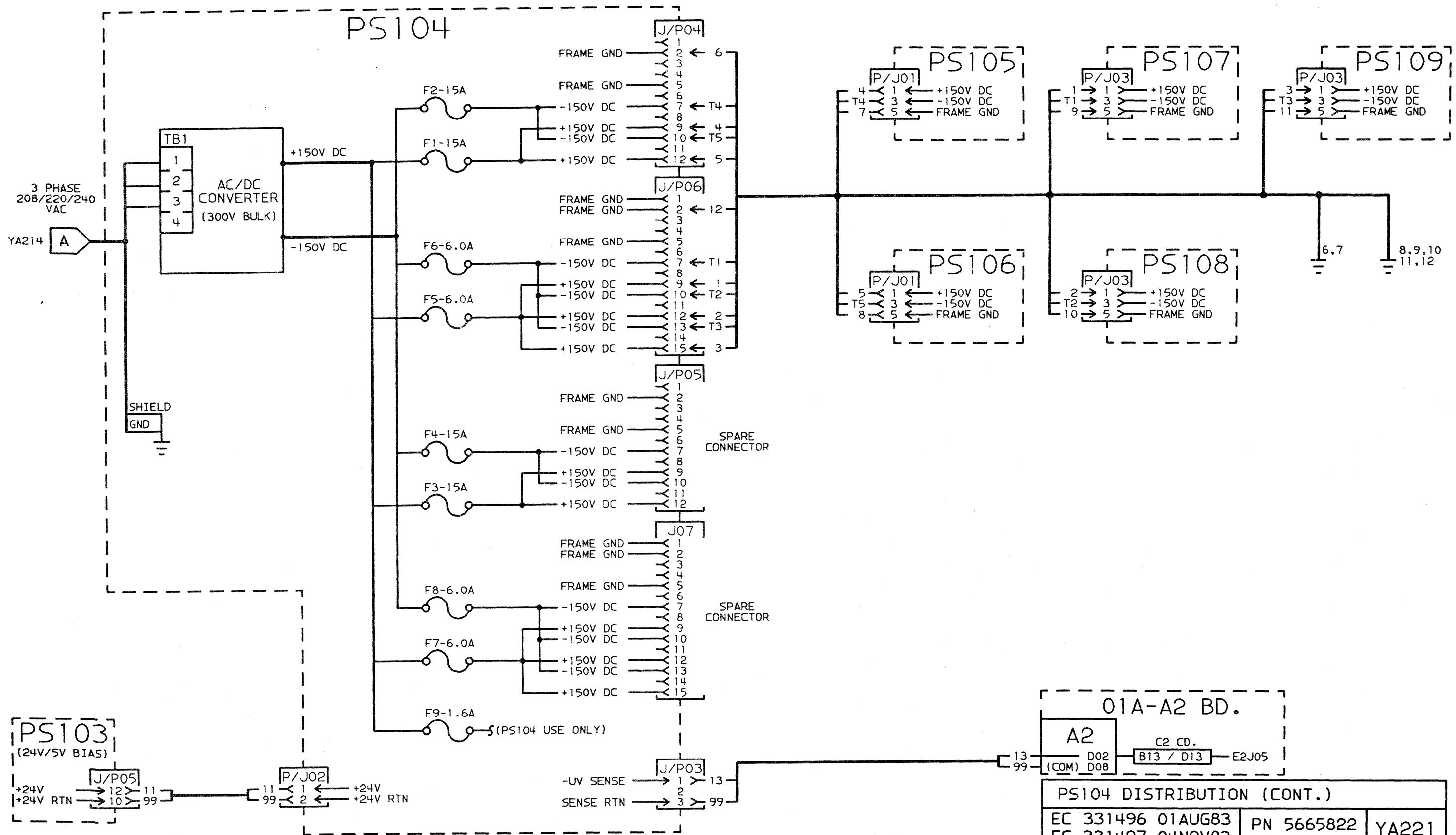
SEE YA161 FOR TB2 JUMPERING INFORMATION

<NOTE 1>

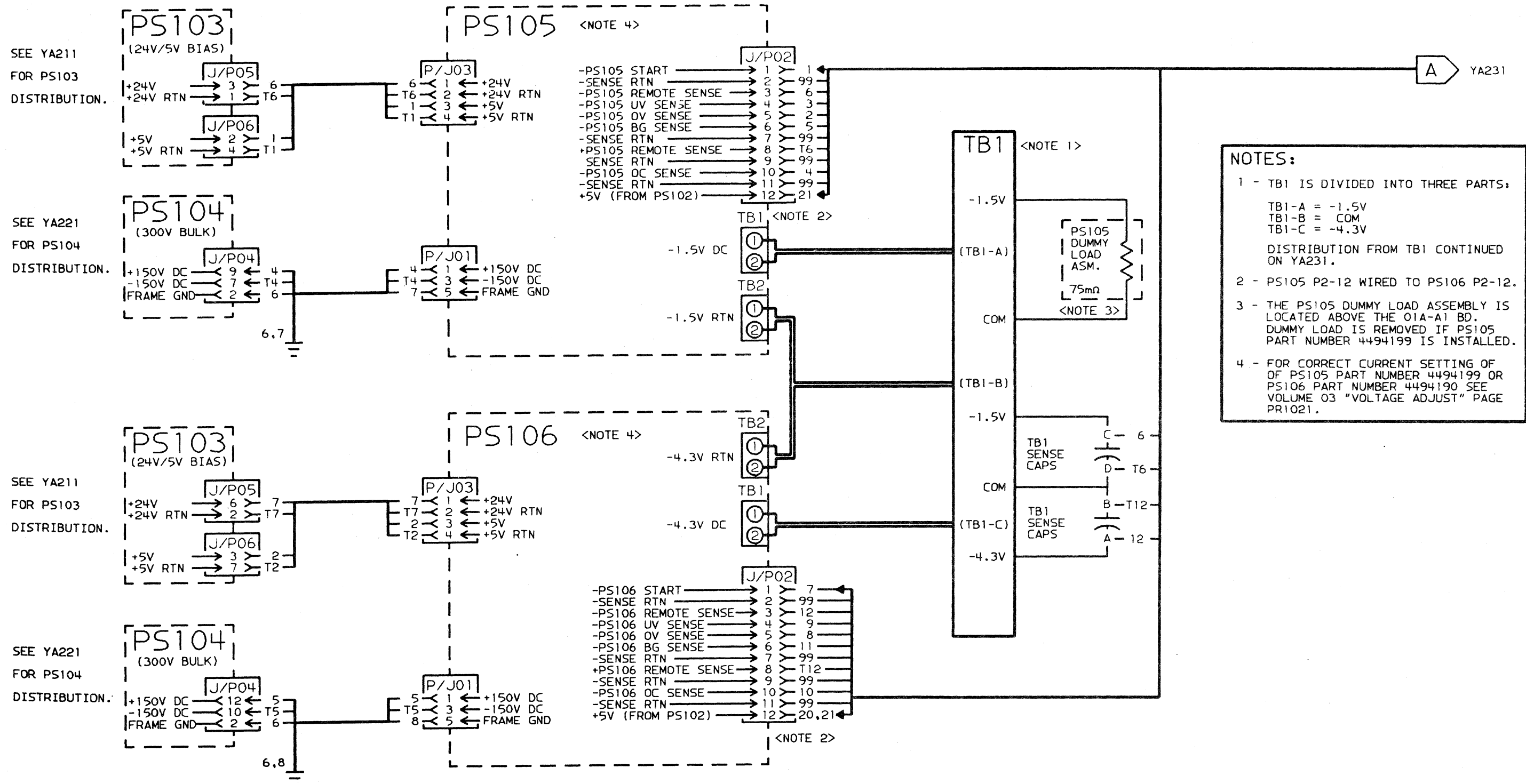
<NOTE 2>

<NOTE 3>

<NOTE 2>

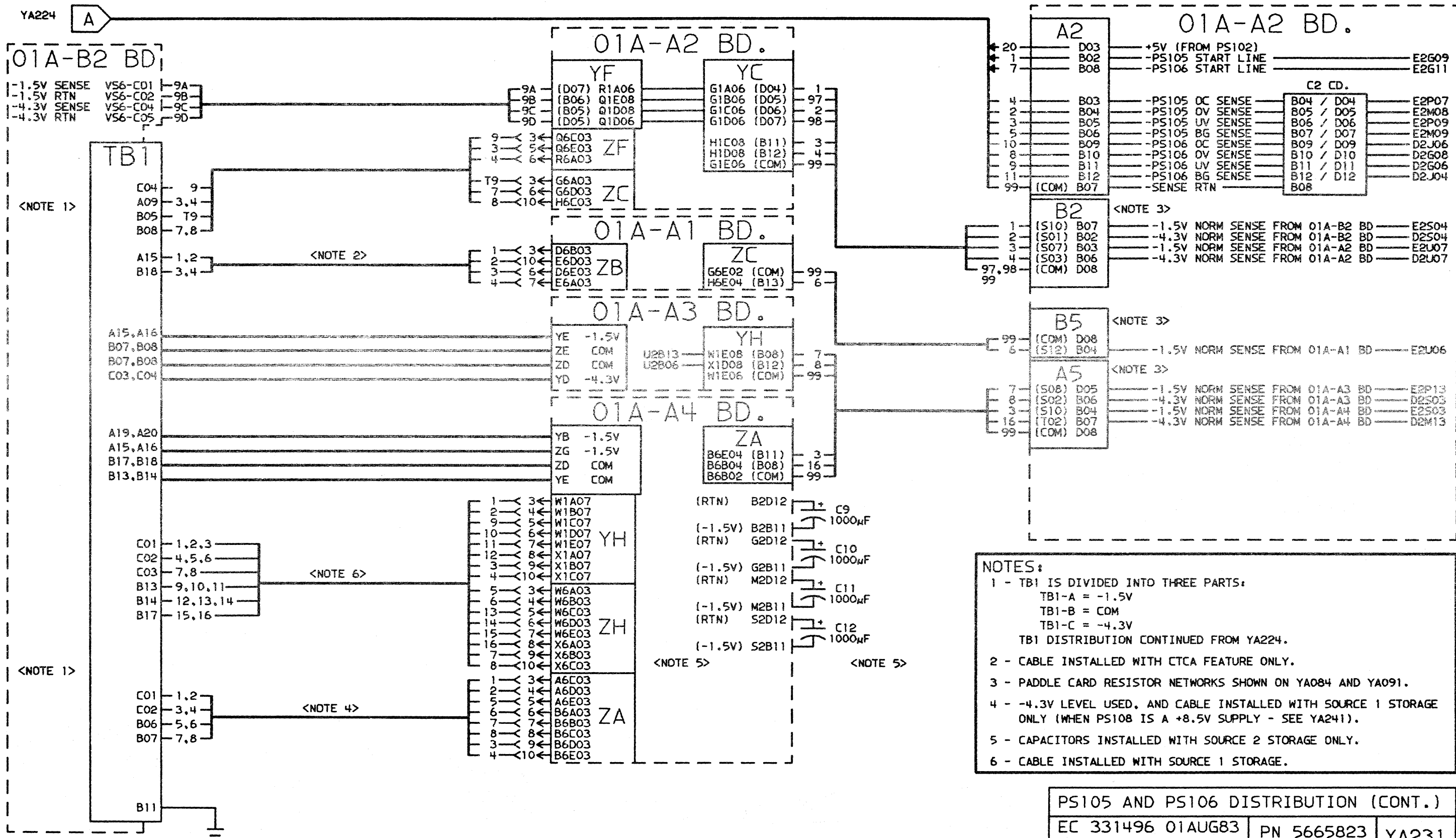


PS104 DISTRIBUTION (CONT.)		
EC 331496	01AUG83	PN 5665822
EC 331497	04NOV83	1 OF 2
EC 331498	15DEC83	YA221 AA



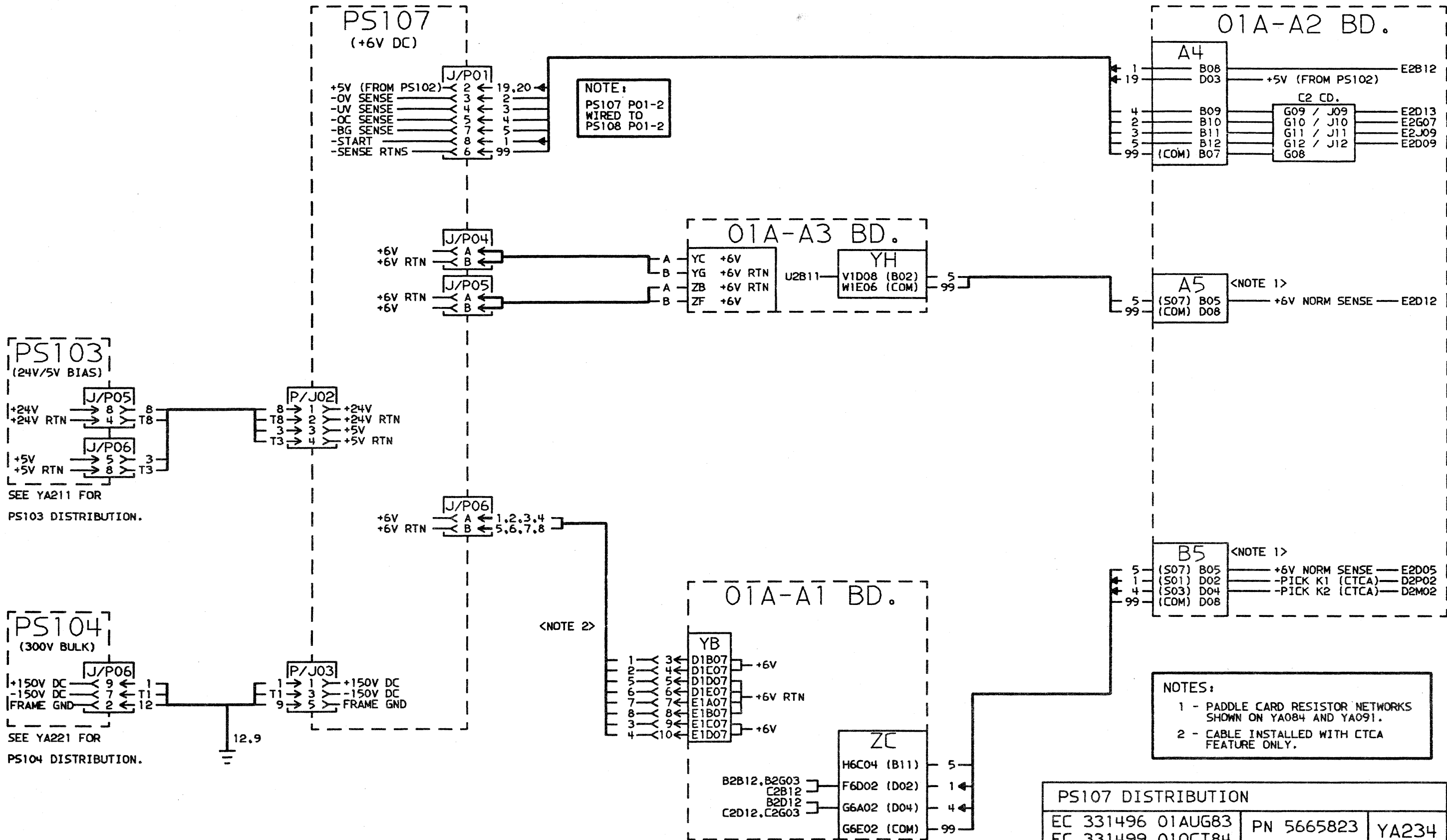
PS105 AND PS106 DISTRIBUTION		
EC 331496	01AUG83	PN 5665822
EC 331497	04NOV83	2 OF 2
EC 331498	15DEC83	AA





- NOTES:**
- 1 - TB1 IS DIVIDED INTO THREE PARTS:  
 TB1-A = -1.5V  
 TB1-B = COM  
 TB1-C = -4.3V  
 TB1 DISTRIBUTION CONTINUED FROM YA224.
  - 2 - CABLE INSTALLED WITH CTCA FEATURE ONLY.
  - 3 - PADDLE CARD RESISTOR NETWORKS SHOWN ON YA084 AND YA091.
  - 4 - -4.3V LEVEL USED, AND CABLE INSTALLED WITH SOURCE 1 STORAGE ONLY (WHEN PS108 IS A +8.5V SUPPLY - SEE YA241).
  - 5 - CAPACITORS INSTALLED WITH SOURCE 2 STORAGE ONLY.
  - 6 - CABLE INSTALLED WITH SOURCE 1 STORAGE.

PS105 AND PS106 DISTRIBUTION (CONT.)		
EC 331496 01AUG83	PN 5665823	YA231
EC 331499 01OCT84	1 OF 2	AA



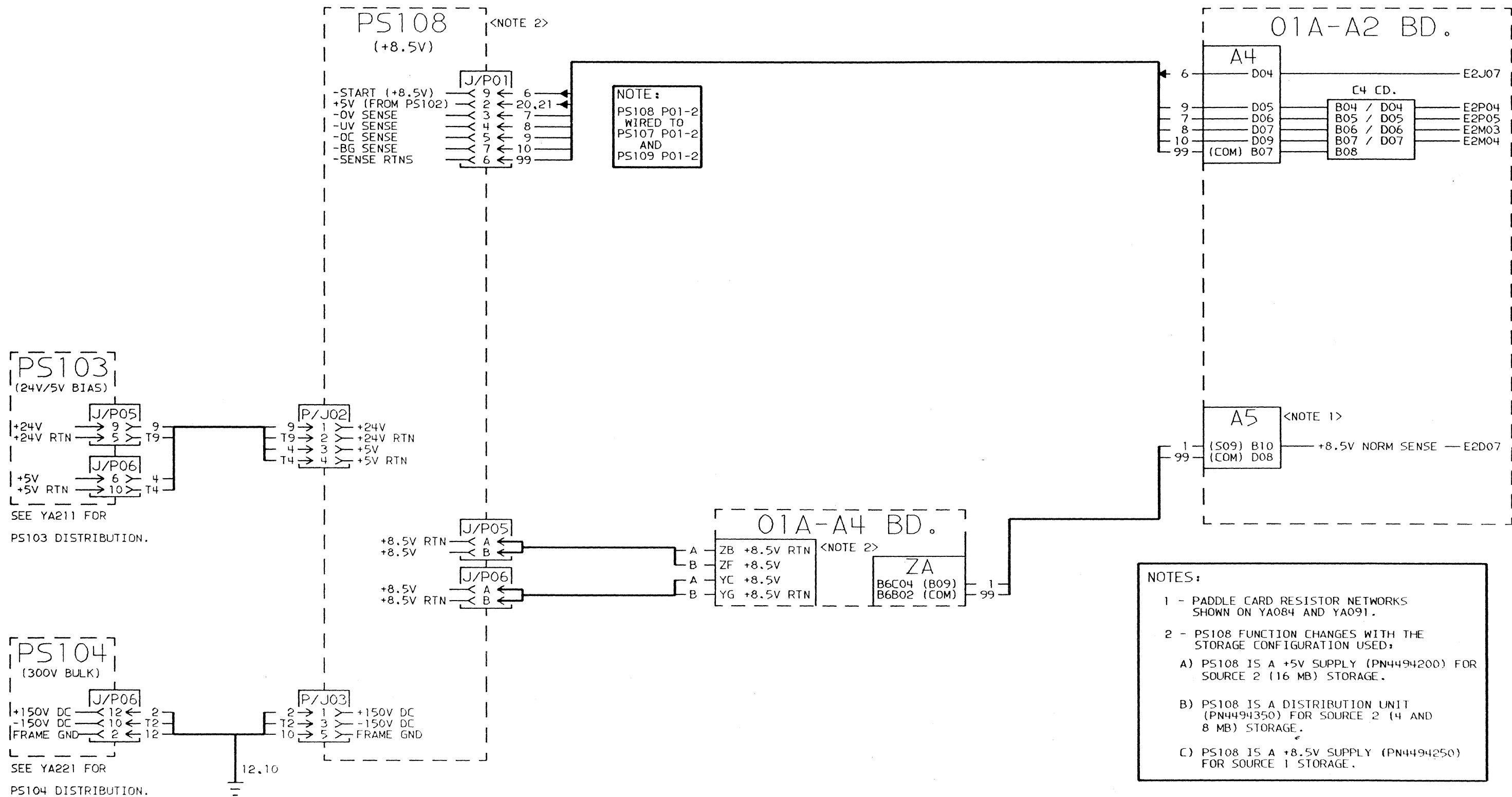
NOTE 1  
PS107 P01-2  
WIRED TO  
PS108 P01-2

01A-A3 BD.  
YH  
V1D08 (B02)  
W1E06 (COM)

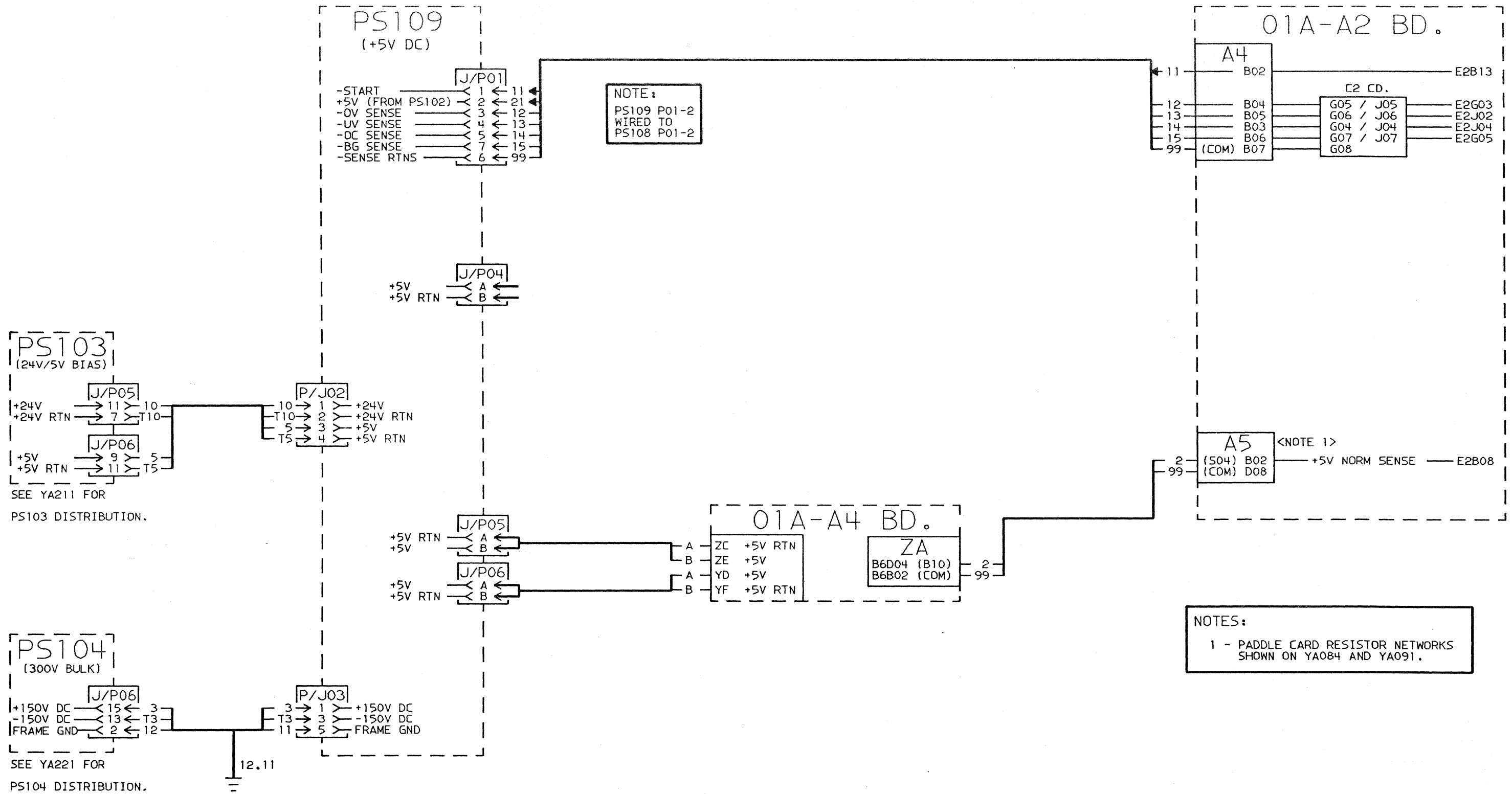
B5 <NOTE 1>  
(S07) B05 +6V NORM SENSE — E2D05  
(S01) D02 — PICK K1 (CTCA) — D2P02  
(S03) D04 — PICK K2 (CTCA) — D2M02  
(COM) D08

NOTES:  
1 - PADDLE CARD RESISTOR NETWORKS SHOWN ON YA084 AND YA091.  
2 - CABLE INSTALLED WITH CTCA FEATURE ONLY.

PS107 DISTRIBUTION		
EC 331496 01AUG83	PN 5665823	YA234
EC 331499 01OCT84	2 OF 2	AA



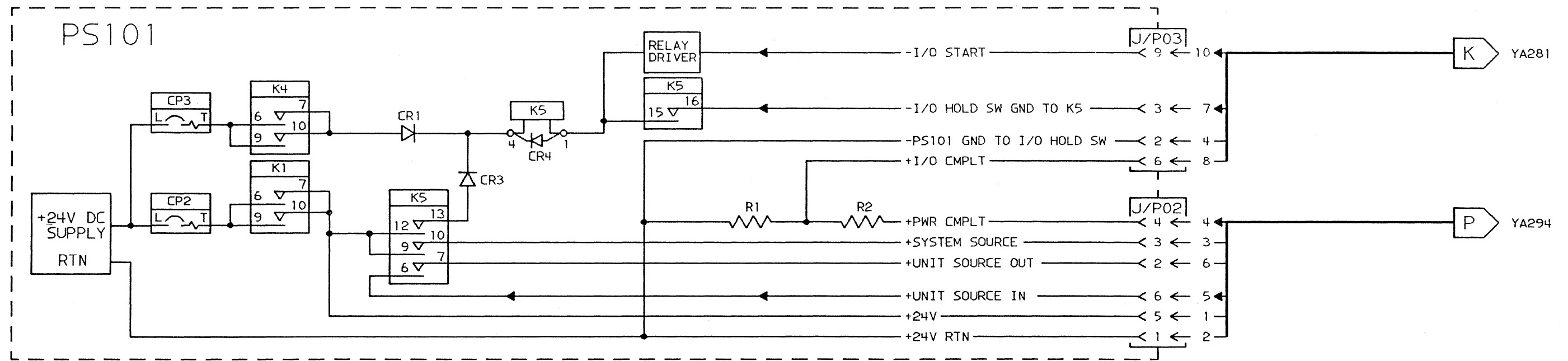
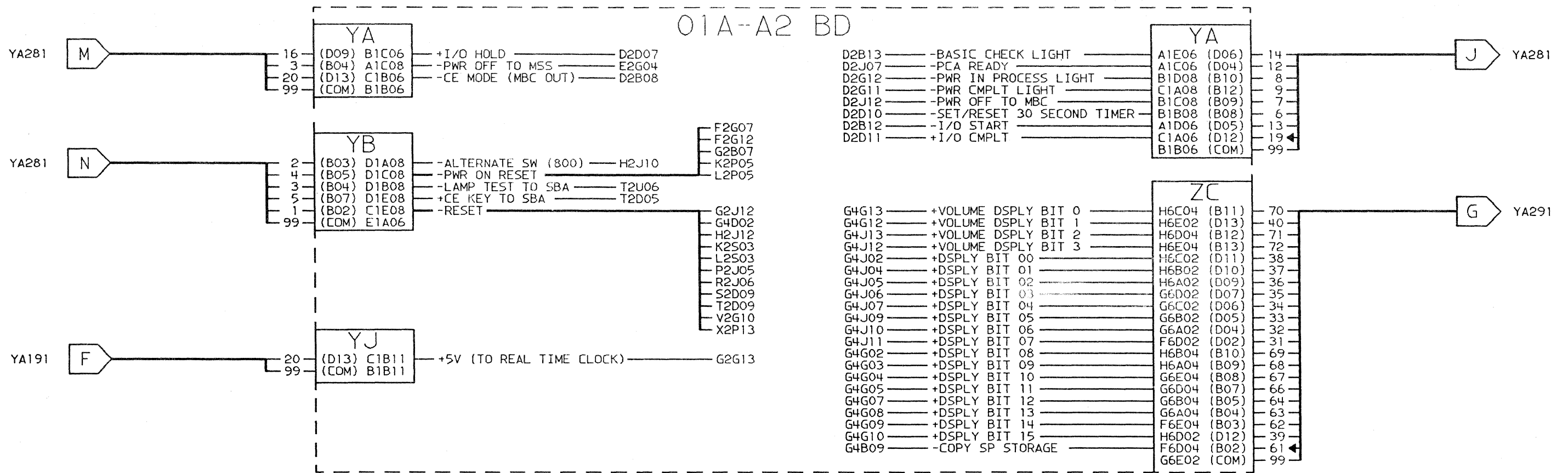
PS108 DISTRIBUTION (SOURCE 1 STORAGE)		
EC 331496 01AUG83	PN 5665824	YA241
	1 OF 2	AC



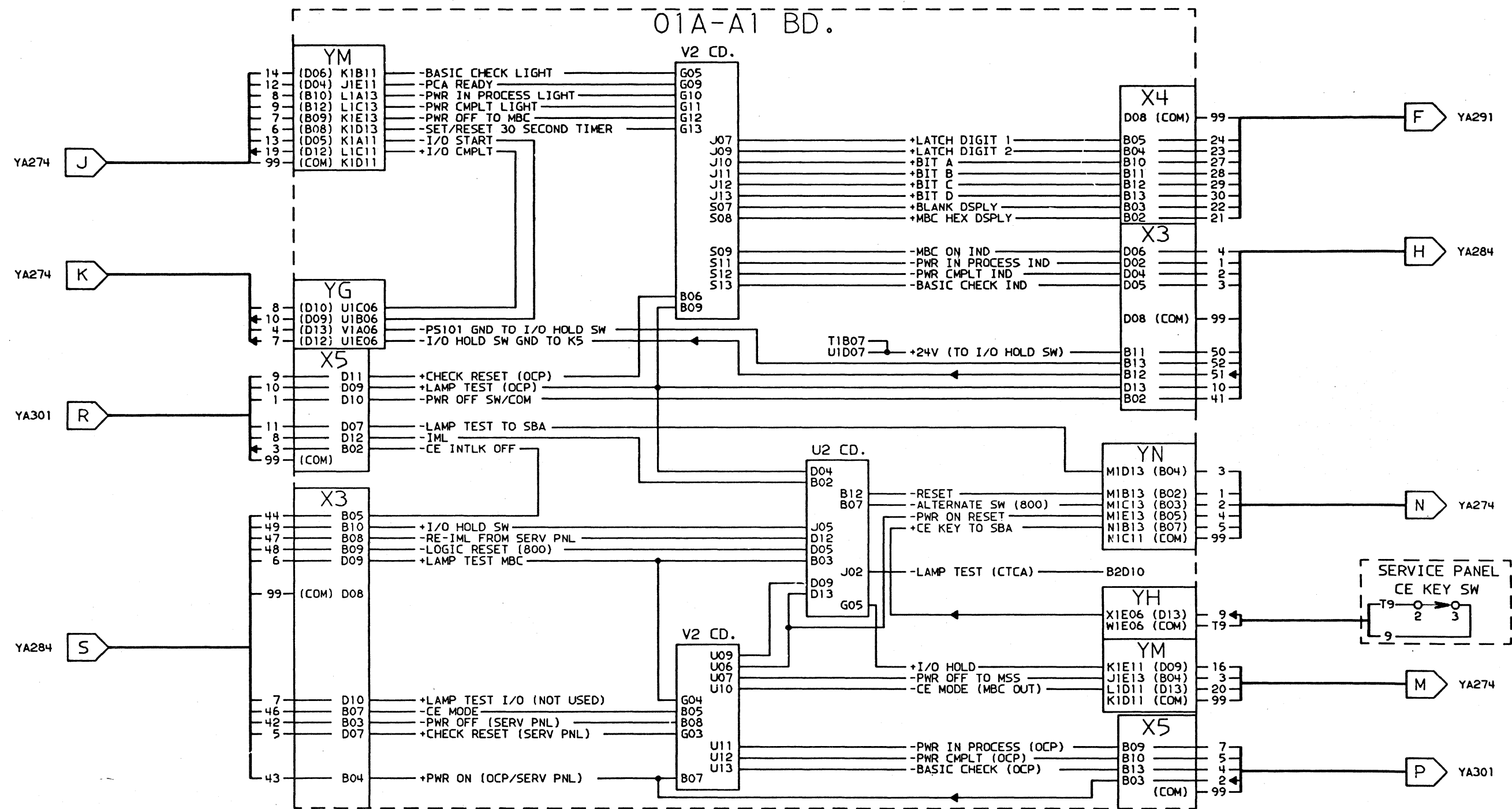
PS109 DISTRIBUTION		
EC 331496 01AUG83	PN 5665824	YA244
	2 OF 2	AC

THIS PAGE LEFT INTENTIONALLY BLANK

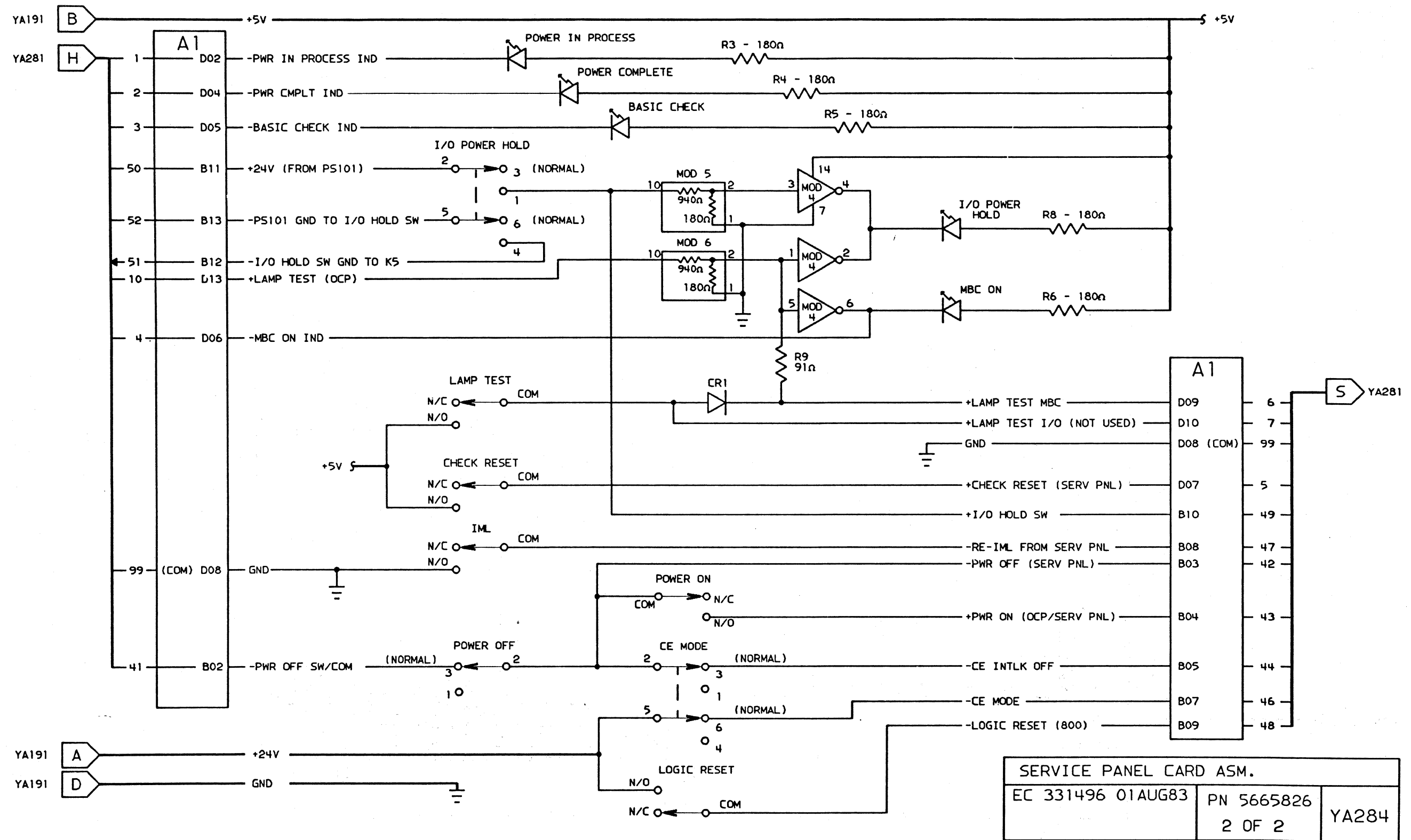
EC 331496 01AUG83	PN 5665825	YA271
	1 OF 2	AA



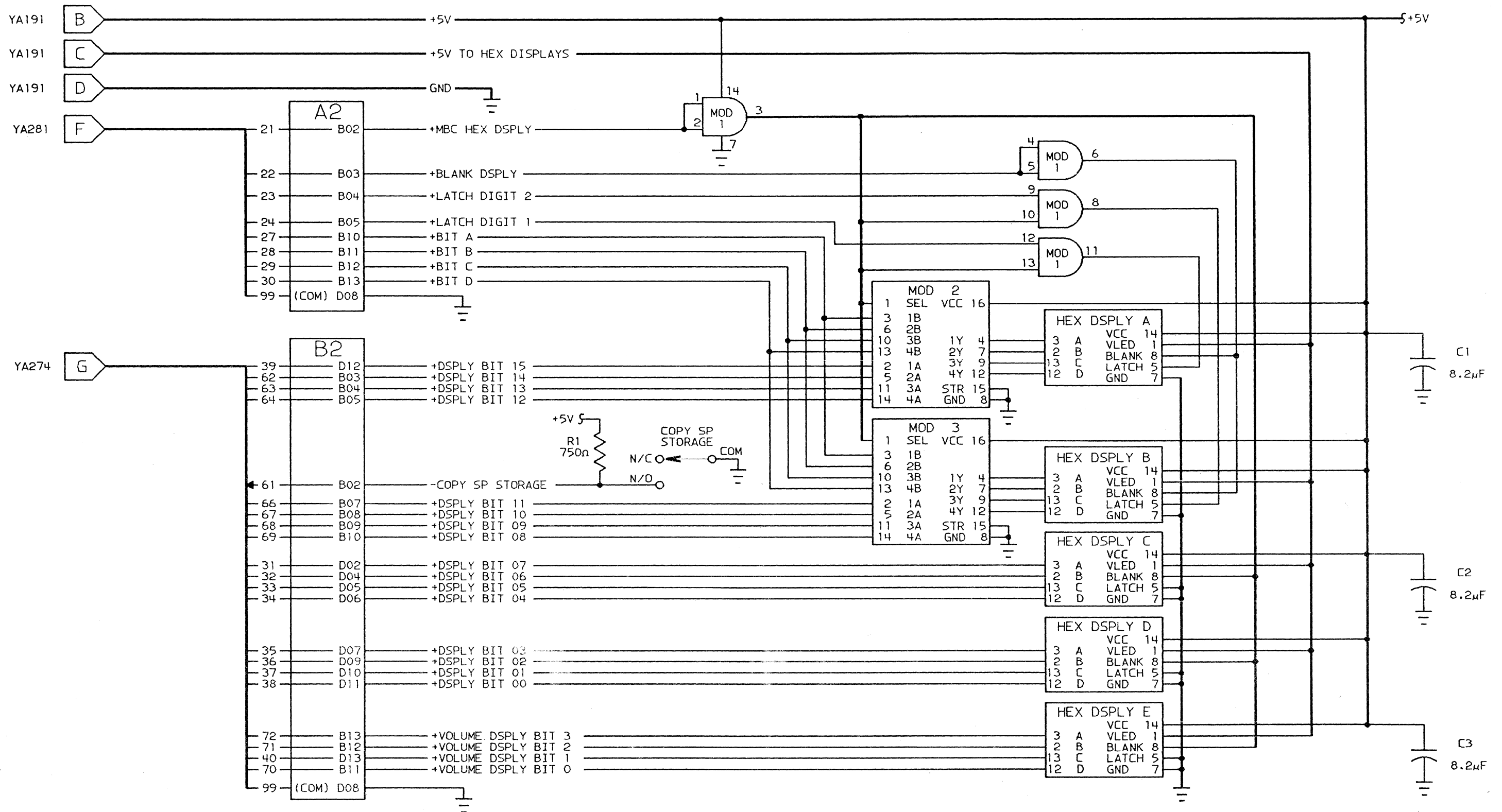
01A-A2 BD/PS101 TO OCP, SERV PNL AND PCI		
EC 331496 01AUG83	PN 5665825	YA274
	2 OF 2	AA



01A-A1 BD TO OCP, SERVICE PANEL AND PCI		
EC 331496 01AUG83	PN 5665826	YA281
	1 OF 2	

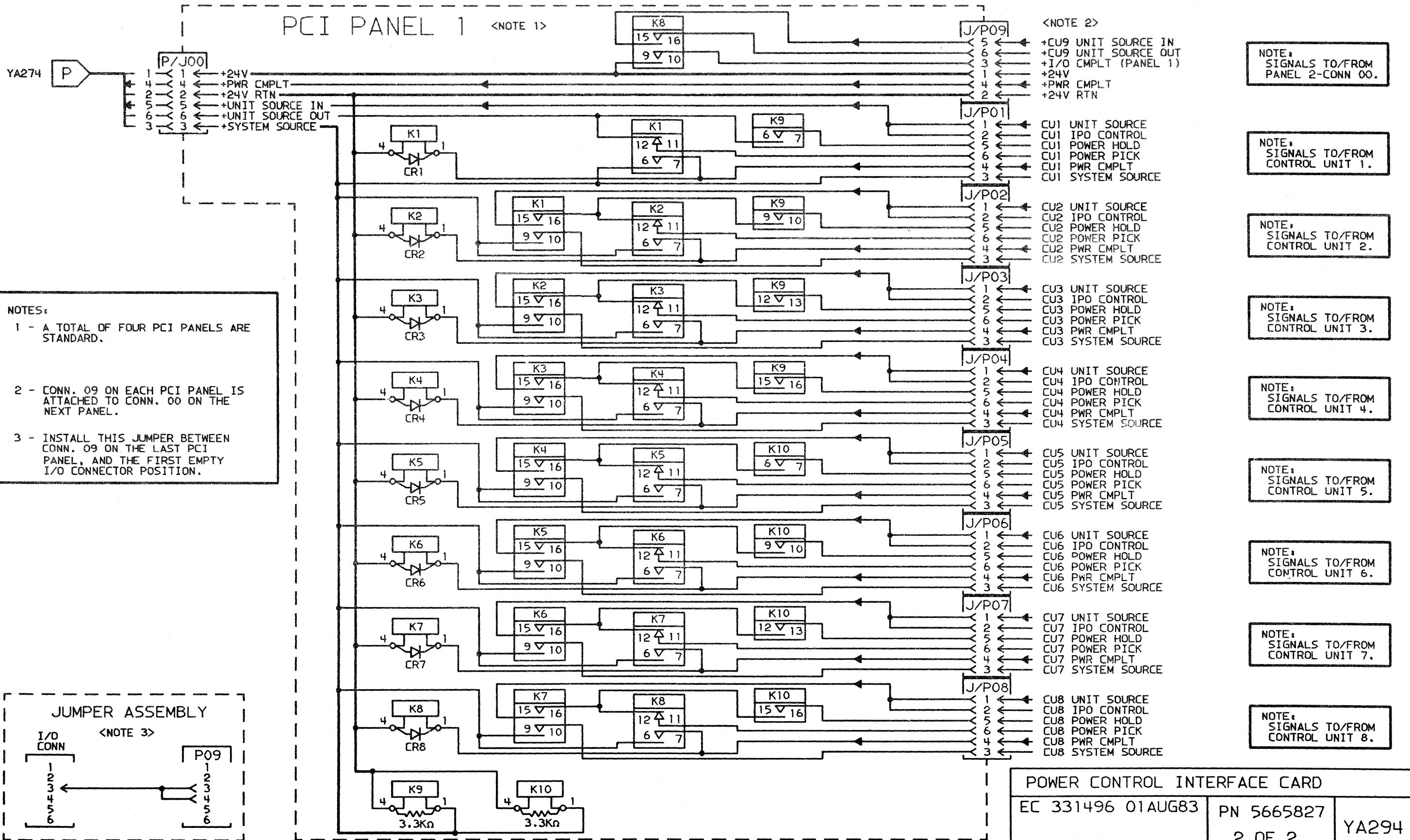






SERVICE PANEL CARD ASM. (CONT.)		
EC 331496 01AUG83	PN 5665827	YA291
	1 OF 2	

PCI PANEL 1 <NOTE 1>



<NOTE 2>  
 +CU9 UNIT SOURCE IN  
 +CU9 UNIT SOURCE OUT  
 +I/O CMPLT (PANEL 1)  
 +24V  
 +PWR CMPLT  
 +24V RTN

NOTE:  
 SIGNALS TO/FROM  
 PANEL 2-CONN 00.

NOTE:  
 SIGNALS TO/FROM  
 CONTROL UNIT 1.

NOTE:  
 SIGNALS TO/FROM  
 CONTROL UNIT 2.

NOTE:  
 SIGNALS TO/FROM  
 CONTROL UNIT 3.

NOTE:  
 SIGNALS TO/FROM  
 CONTROL UNIT 4.

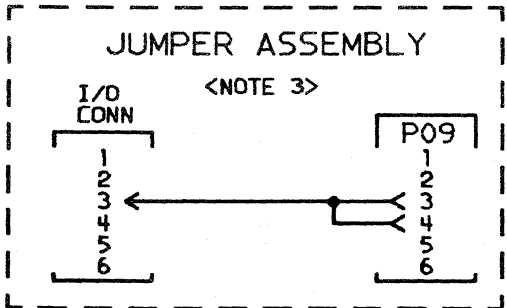
NOTE:  
 SIGNALS TO/FROM  
 CONTROL UNIT 5.

NOTE:  
 SIGNALS TO/FROM  
 CONTROL UNIT 6.

NOTE:  
 SIGNALS TO/FROM  
 CONTROL UNIT 7.

NOTE:  
 SIGNALS TO/FROM  
 CONTROL UNIT 8.

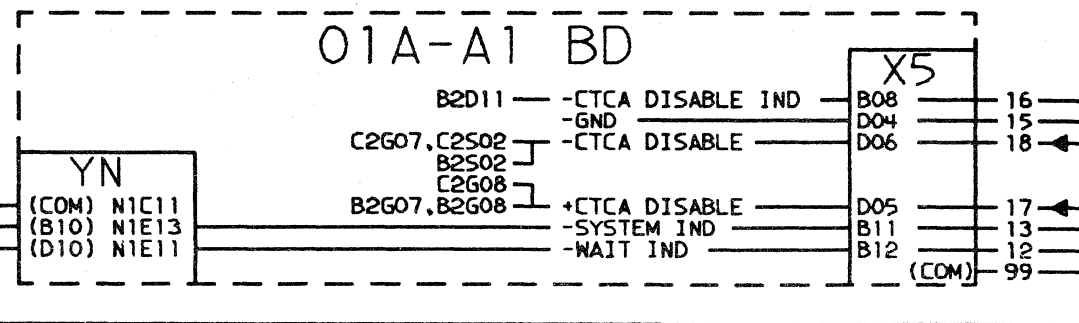
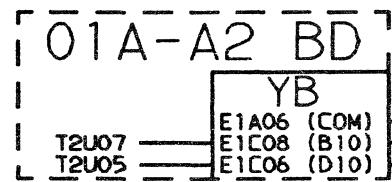
NOTES:  
 1 - A TOTAL OF FOUR PCI PANELS ARE STANDARD.  
 2 - CONN. 09 ON EACH PCI PANEL IS ATTACHED TO CONN. 00 ON THE NEXT PANEL.  
 3 - INSTALL THIS JUMPER BETWEEN CONN. 09 ON THE LAST PCI PANEL, AND THE FIRST EMPTY I/O CONNECTOR POSITION.



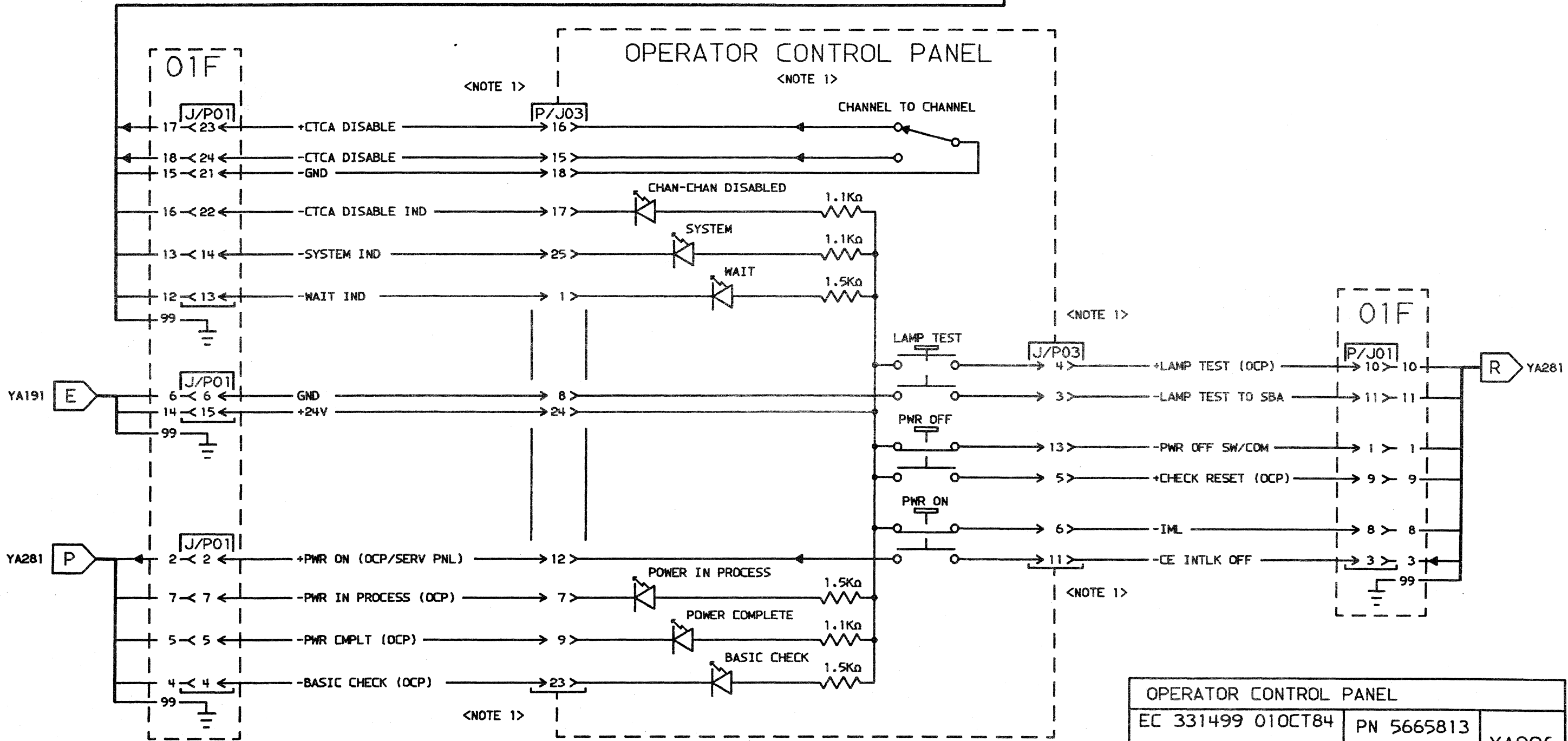
POWER CONTROL INTERFACE CARD		
EC 331496 01AUG83	PN 5665827	YA294
	2 OF 2	

THIS PAGE LEFT INTENTIONALLY BLANK

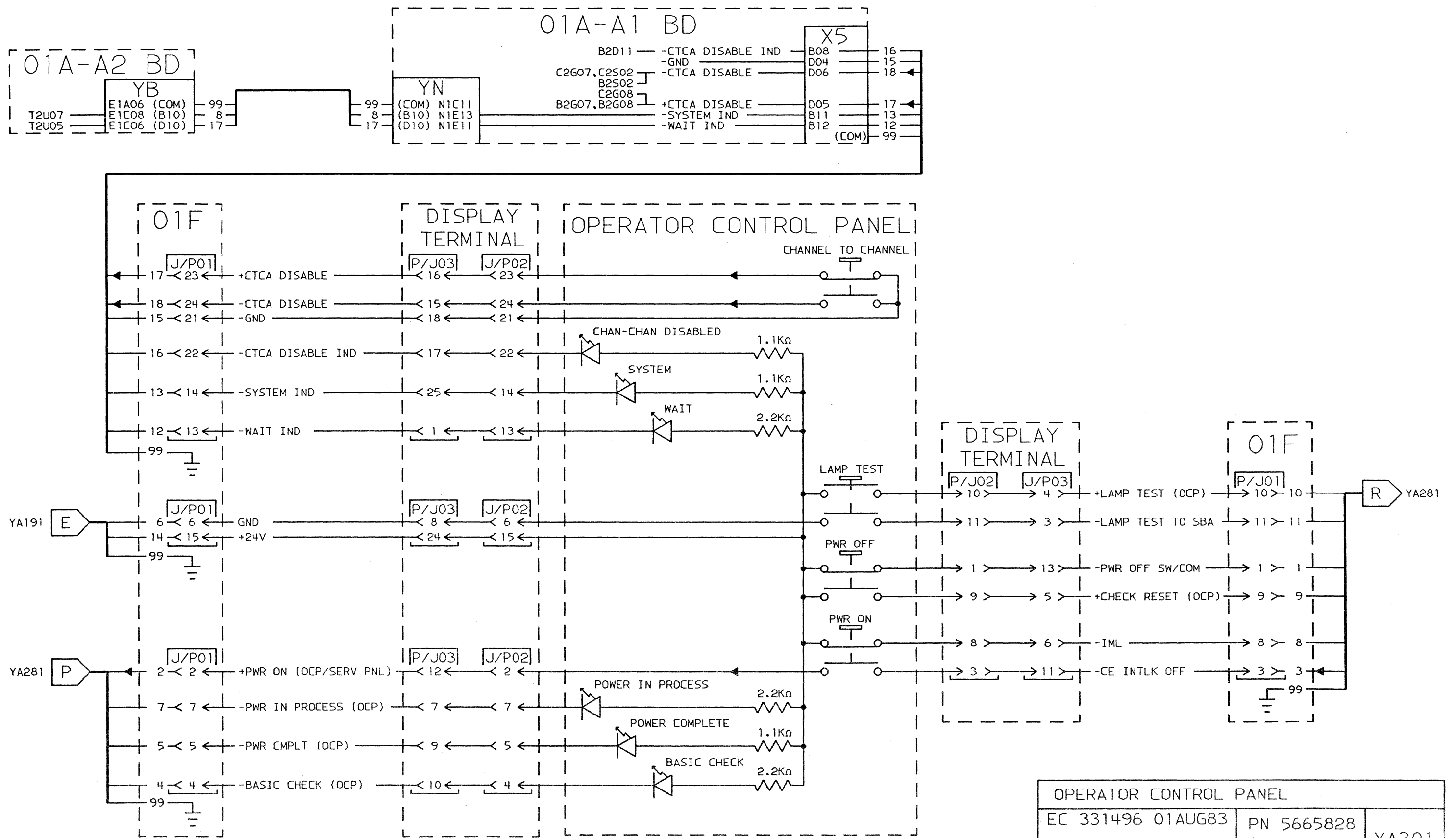
EC 331499 01OCT84	PN 5665813	YA295
	1 OF 2	



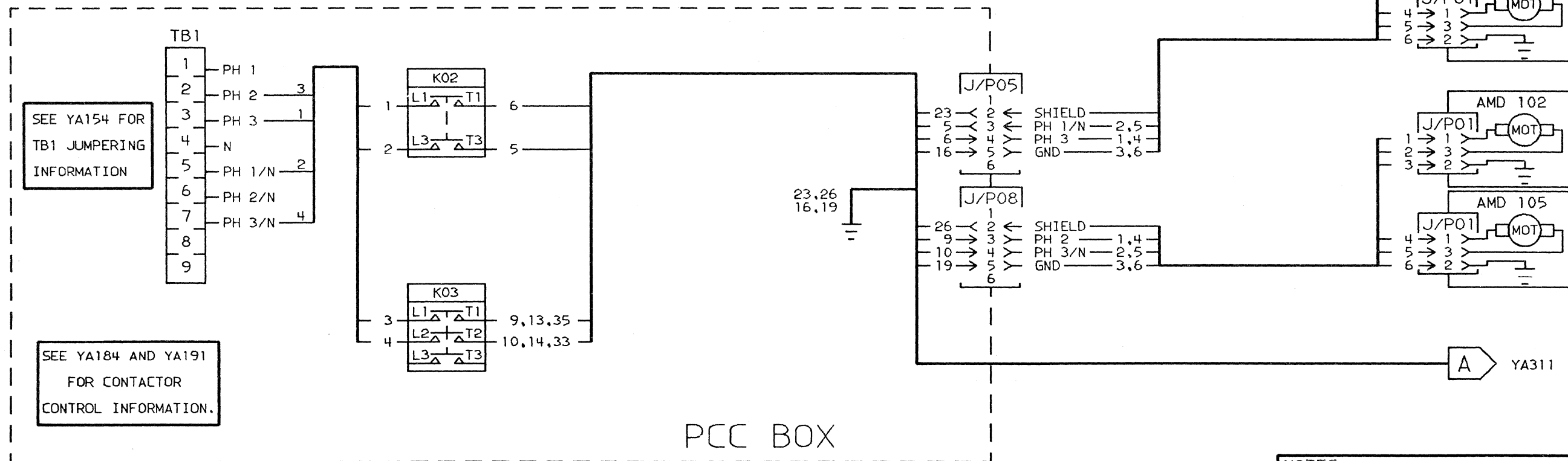
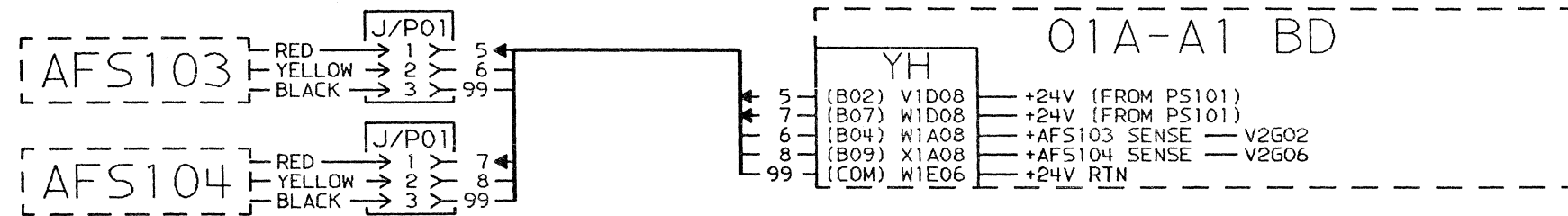
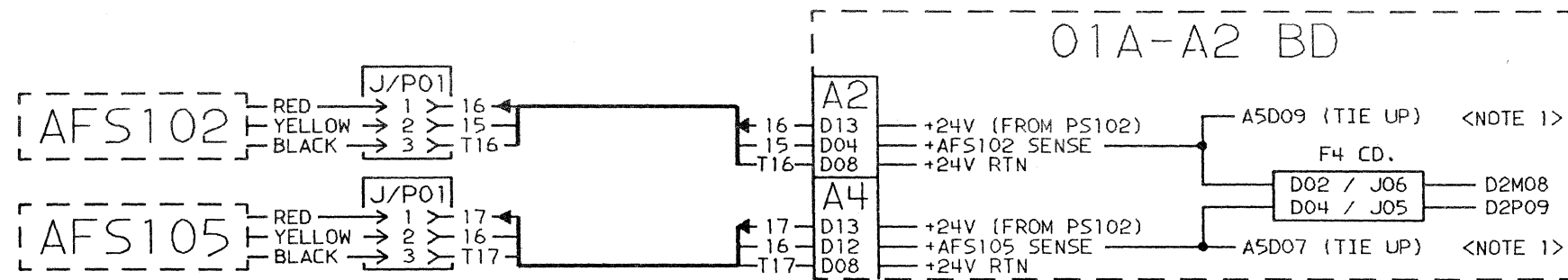
**NOTES:**  
 1 - THIS PAGE IS TO BE USED IF DISPLAY TERMINAL TYPE 3205 IS INSTALLED. SEE YA301 FOR OCP INFORMATION WHEN USING DISPLAY TERMINAL TYPE 3278 2A OR 3279 2C.



<b>OPERATOR CONTROL PANEL</b>		
EC 331499 01OCT84	PN 5665813	YA296
	2 OF 2	

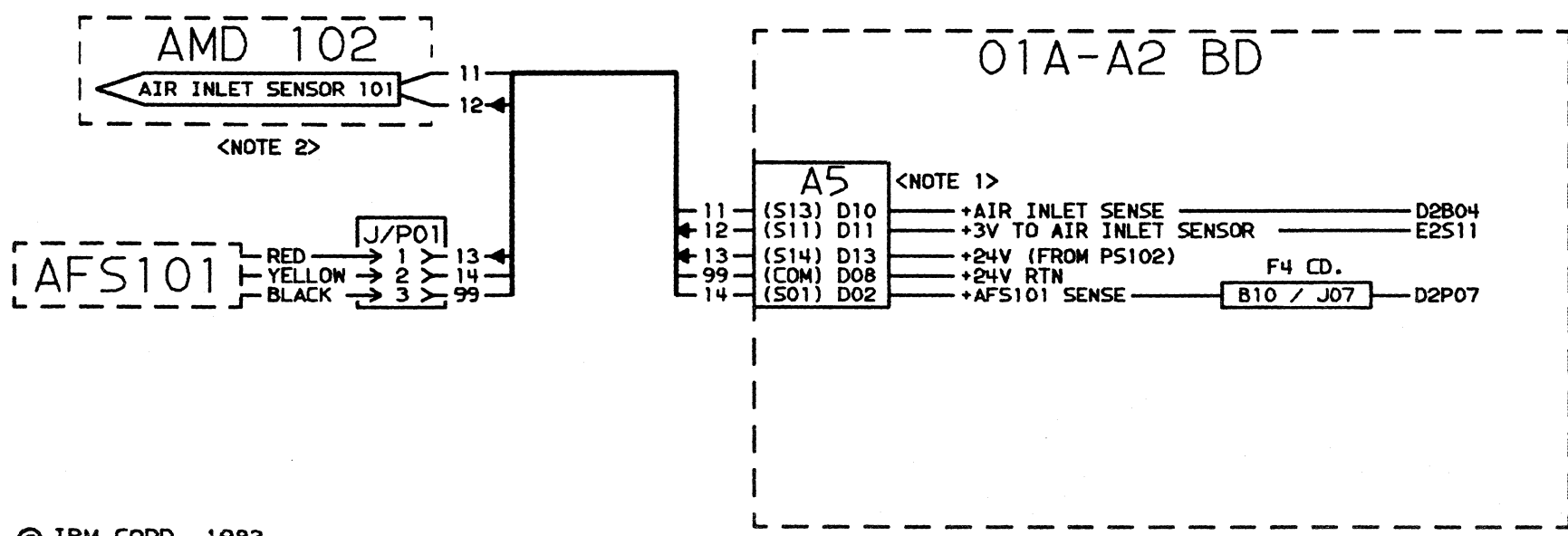
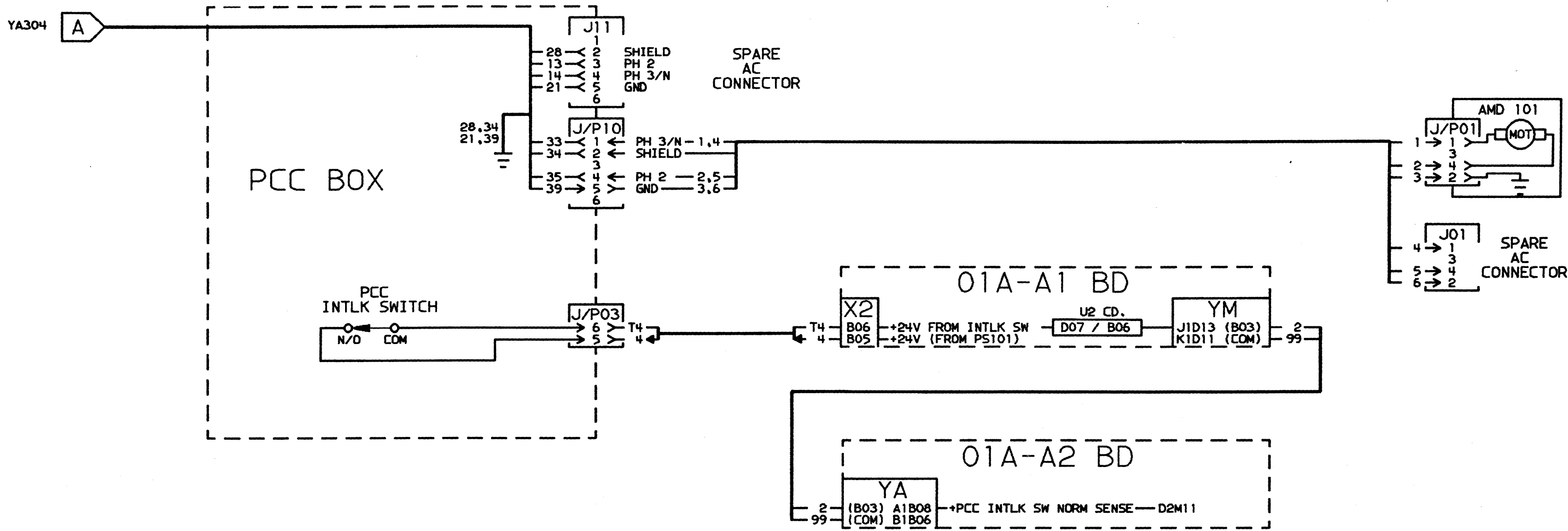


OPERATOR CONTROL PANEL		
EC 331496 01AUG83	PN 5665828	YA301
	1 OF 2	



**NOTES:**  
 1 - PADDLE CARD RESISTOR NETWORKS SHOWN ON YA084 AND YA091.

AFS AND AMDS		
EC 331496 01AUG83	PN 5665828	YA304
2 OF 2		

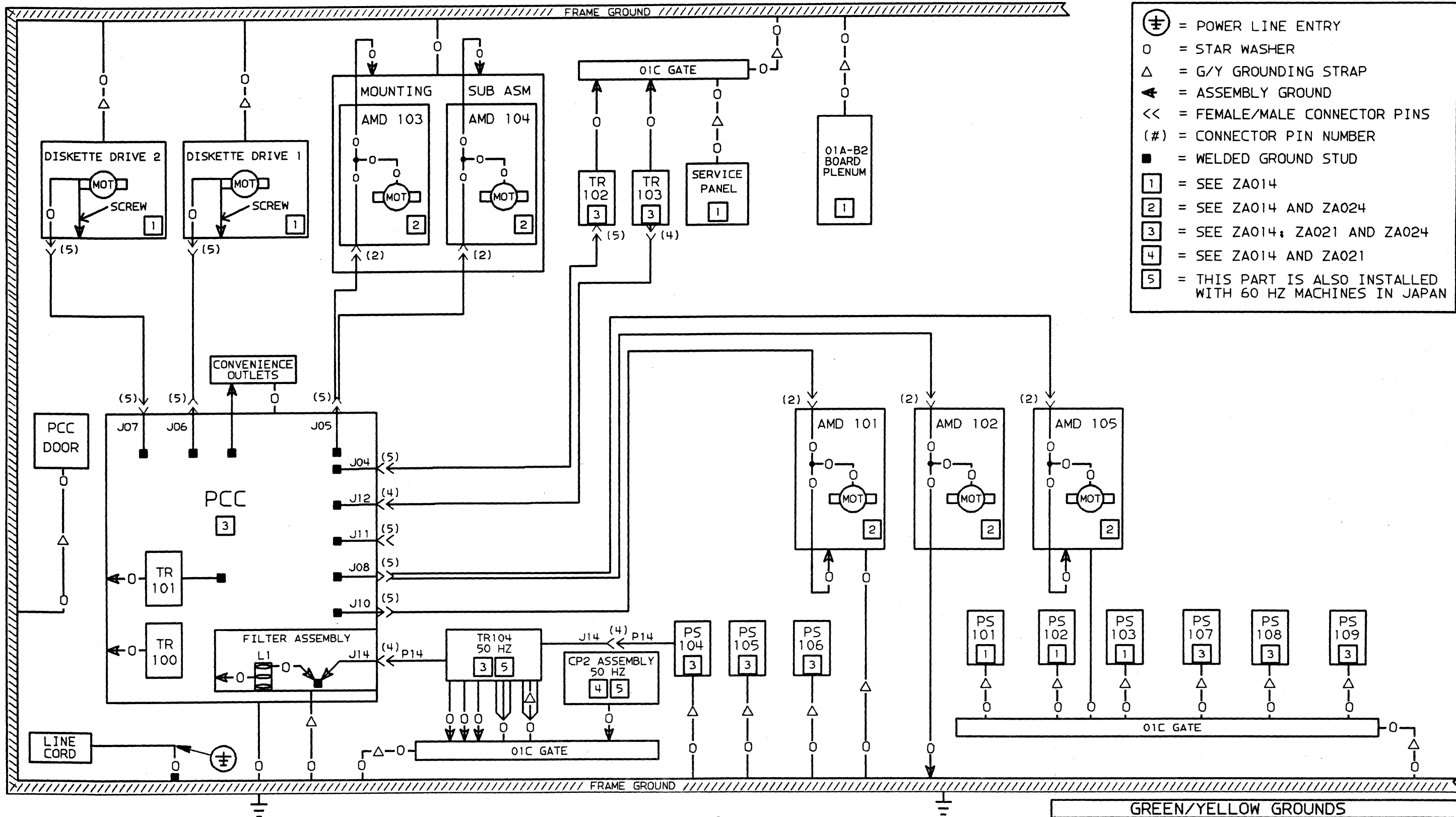


**NOTES:**  
 1 - PADDLE CARD RESISTOR NETWORKS SHOWN ON YA084 AND YA091.  
 2 - AIR INLET SENSOR 101 MAY NOT BE INSTALLED.

AFS AND AMDS (CONT.)		
EC 331496 01AUG83	PN 5665829	YA311
EC 331499 01OCT84	1 OF 1	AA

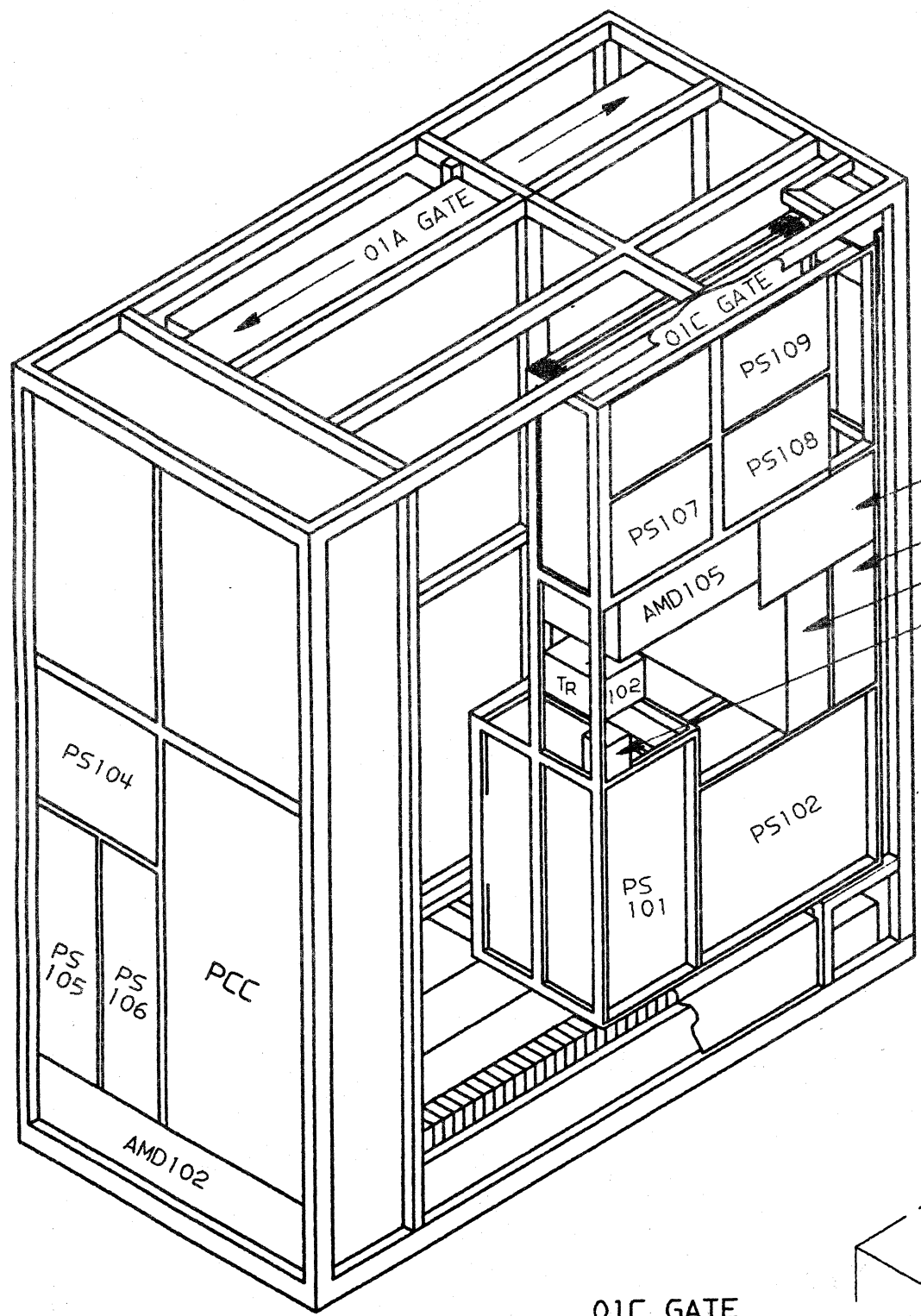






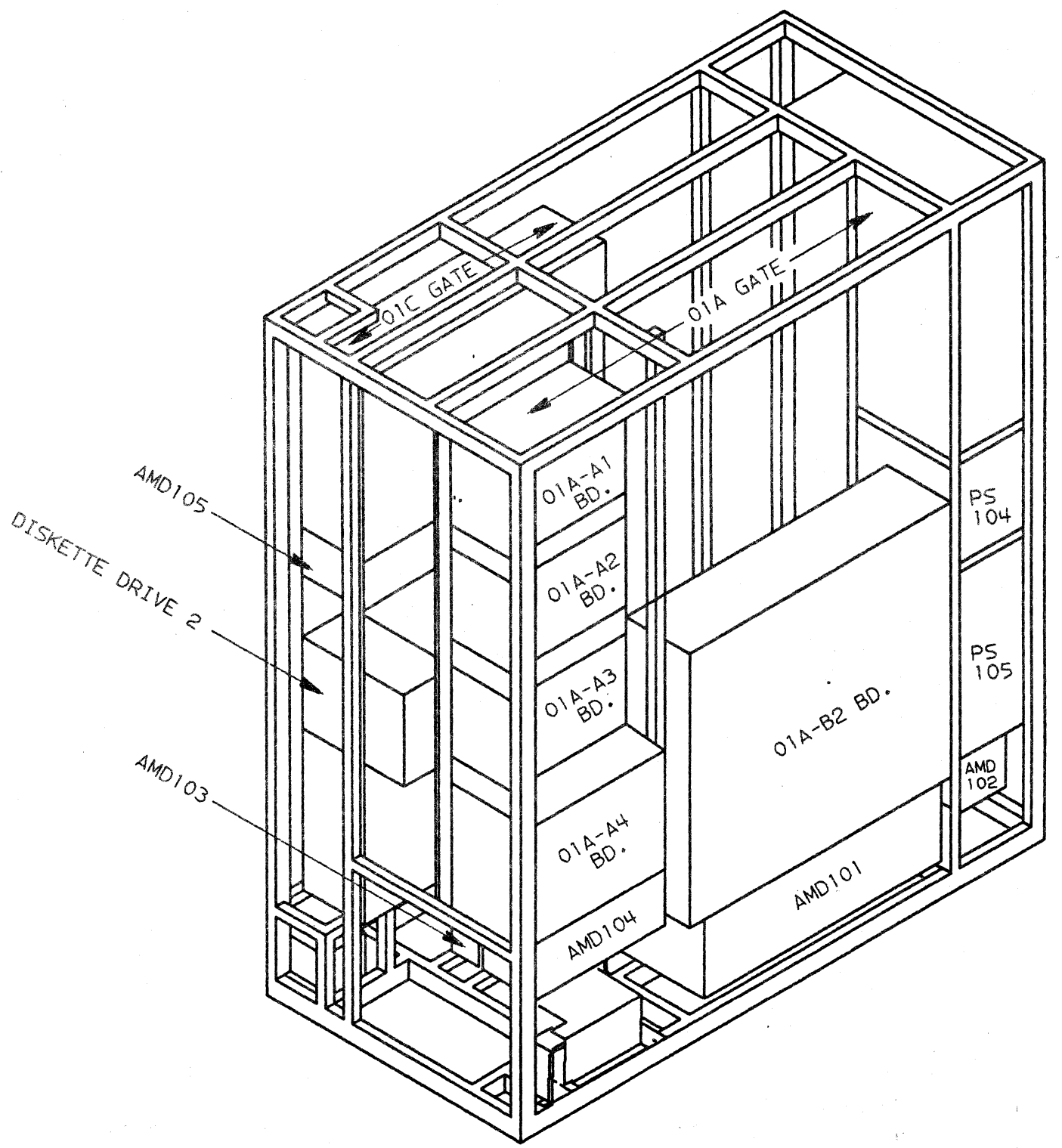
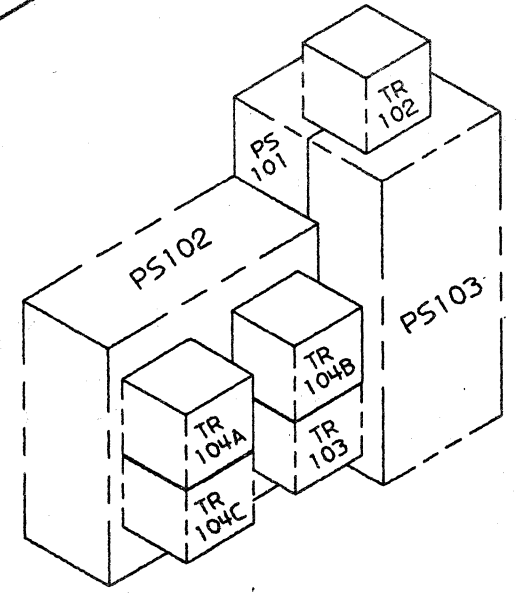
- ⊕ = POWER LINE ENTRY
- O = STAR WASHER
- Δ = G/Y GROUNDING STRAP
- ← = ASSEMBLY GROUND
- << = FEMALE/MALE CONNECTOR PINS
- (#) = CONNECTOR PIN NUMBER
- = WELDED GROUND STUD
- 1 = SEE ZA014
- 2 = SEE ZA014 AND ZA024
- 3 = SEE ZA014; ZA021 AND ZA024
- 4 = SEE ZA014 AND ZA021
- 5 = THIS PART IS ALSO INSTALLED WITH 60 HZ MACHINES IN JAPAN

GREEN/YELLOW GROUNDS		
EC 331496 01AUG83	PN 5665830	ZA011
EC 331498 15DEC83	1 OF 2	AA

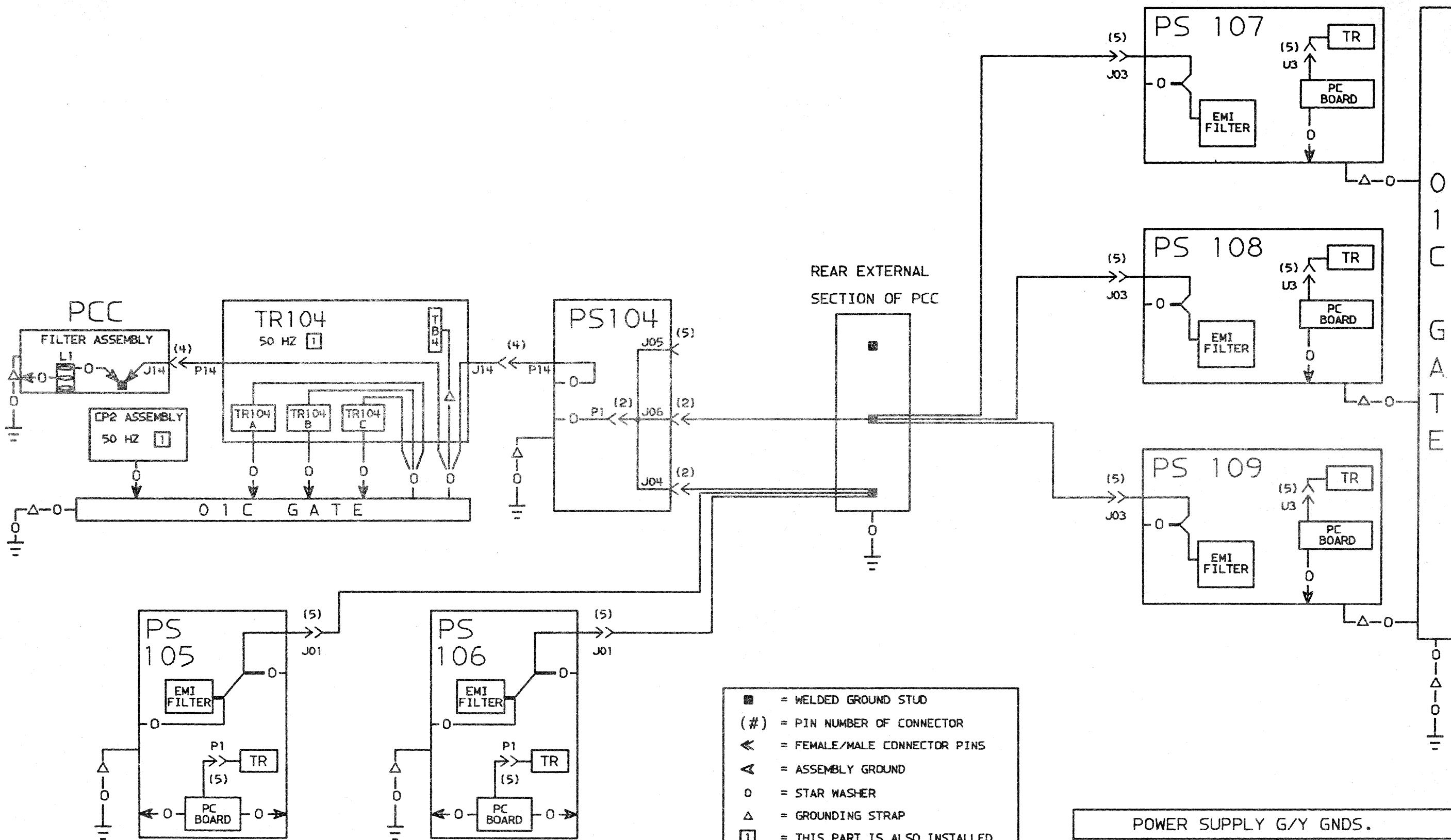


SERVICE PANEL  
 DISKETTE DRIVE 2  
 DISKETTE DRIVE 1  
 CP2

01C GATE  
 REAR VIEW  
 (LOWER PORTION)



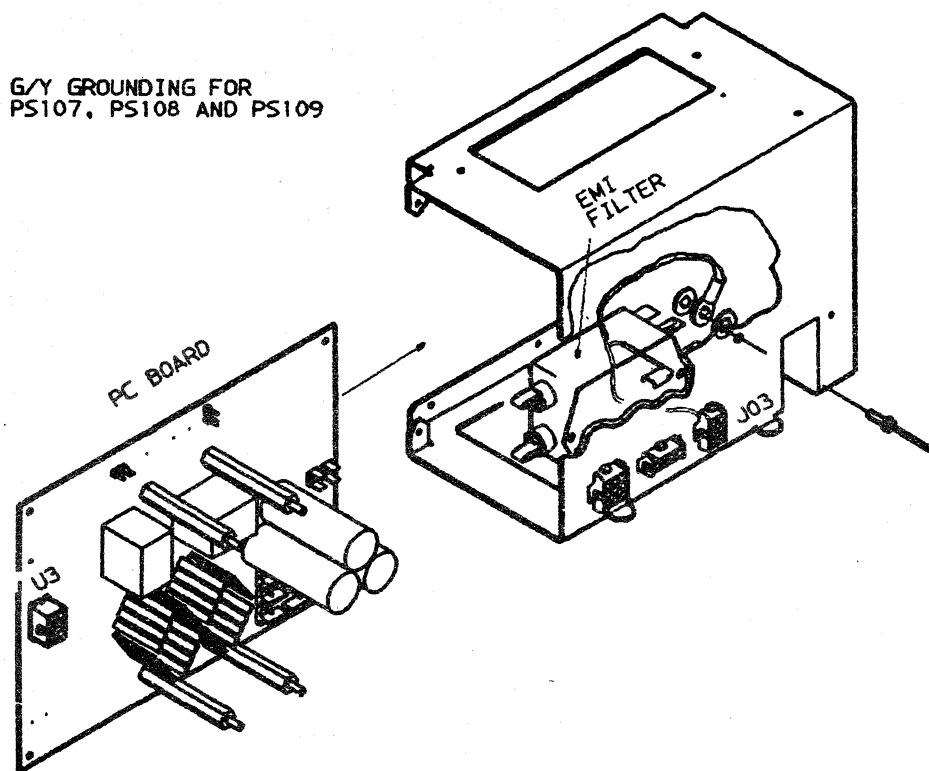
PHYSICAL LOCATION OF FRUS		
EC 331496 01AUG83	PN 5665830	ZA014
EC 331498 15DEC83	2 OF 2	AA



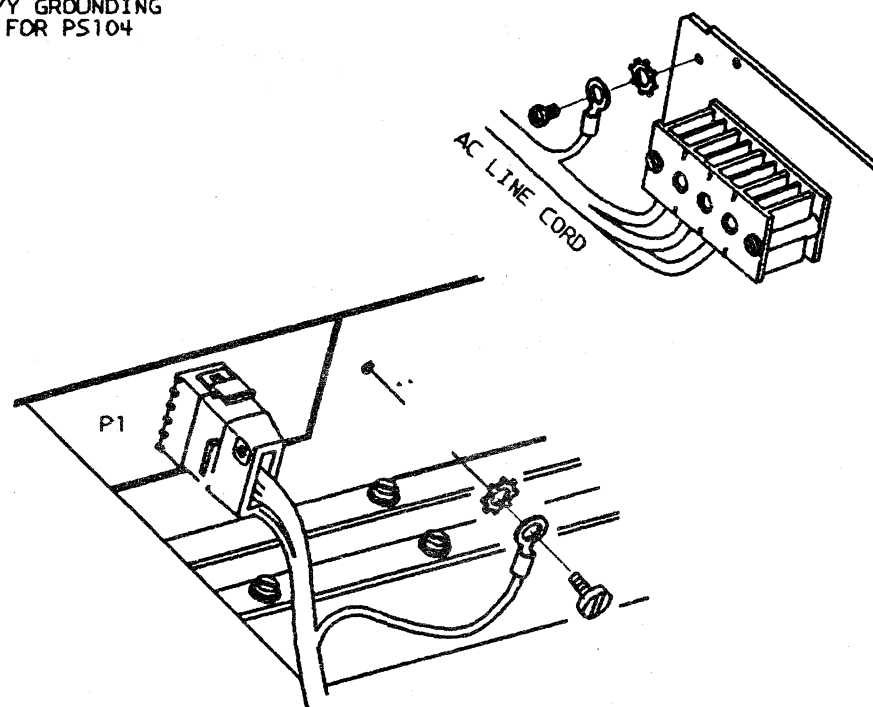
- = WELDED GROUND STUD
- (#) = PIN NUMBER OF CONNECTOR
- ◀ = FEMALE/MALE CONNECTOR PINS
- ▲ = ASSEMBLY GROUND
- = STAR WASHER
- △ = GROUNDING STRAP
- I = THIS PART IS ALSO INSTALLED WITH 60 HZ MACHINES IN JAPAN

POWER SUPPLY G/Y GNDS.		
EC 331496 01AUG83	PN 5665831	ZA021
EC 331498 15DEC83	1 OF 2	AA
EC 331499 01OCT84		

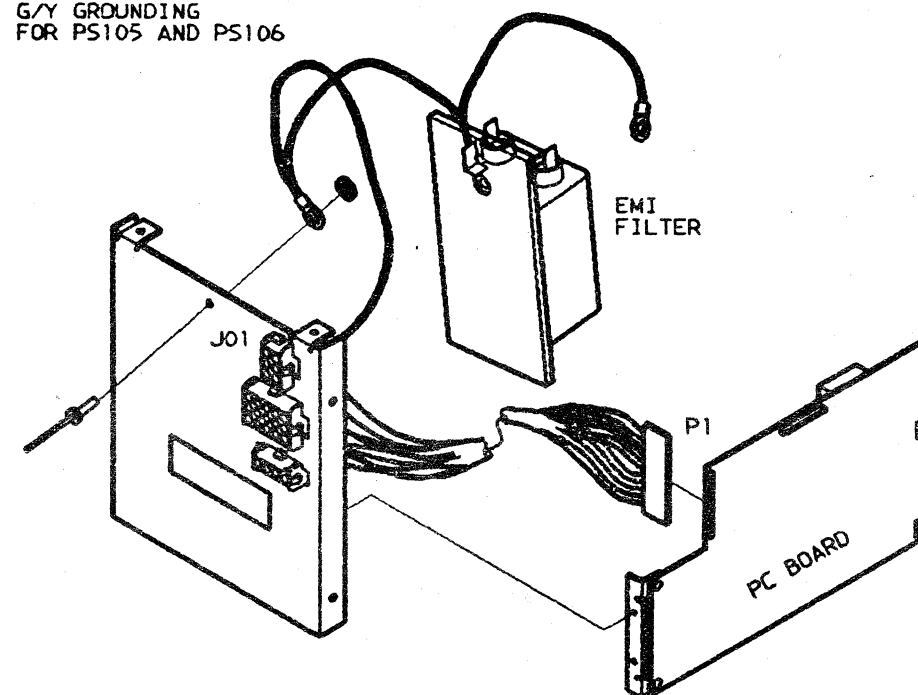
G/Y GROUNDING FOR PS107, PS108 AND PS109



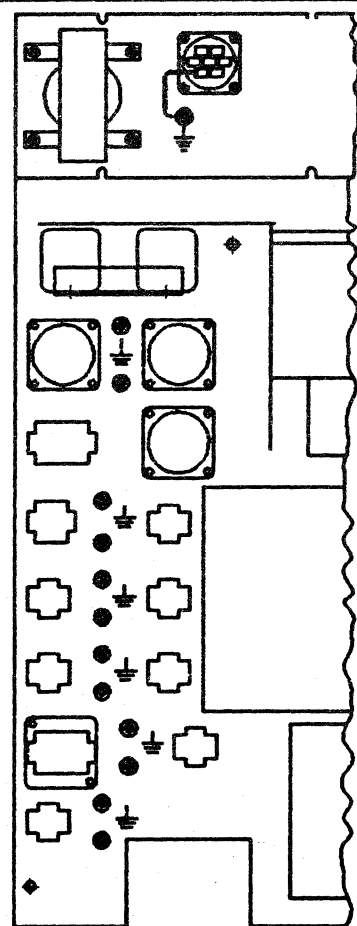
G/Y GROUNDING FOR PS104



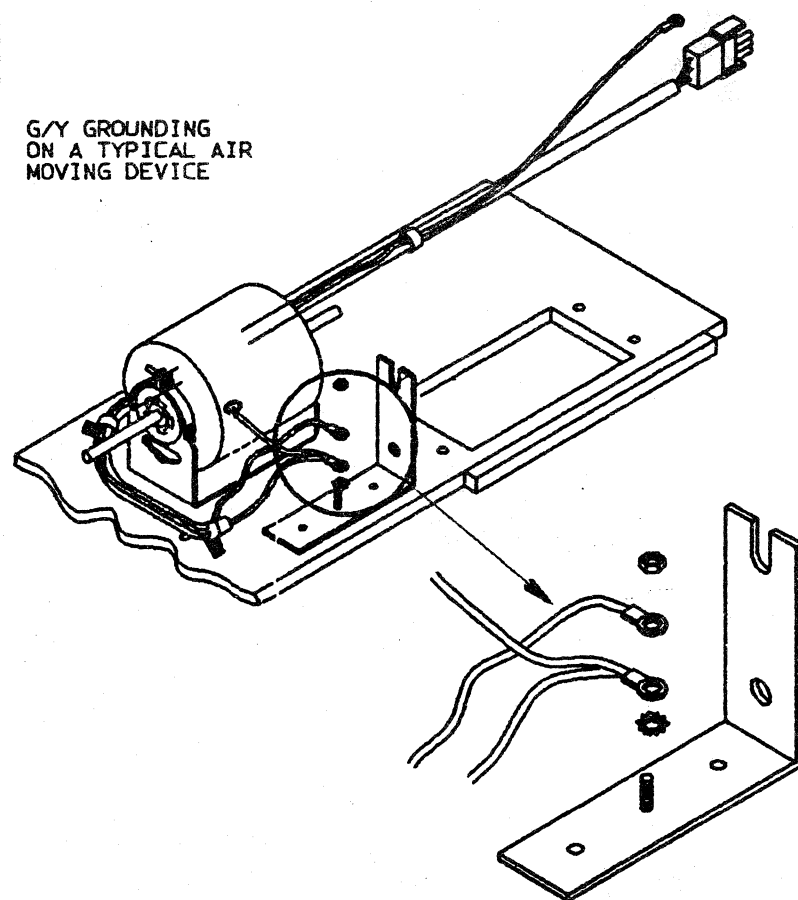
G/Y GROUNDING FOR PS105 AND PS106



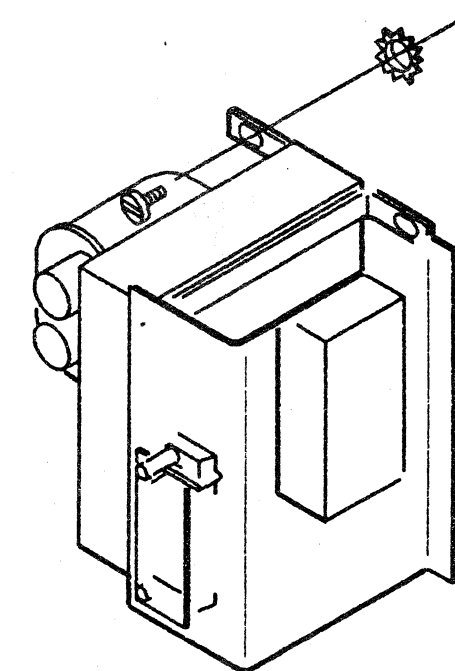
G/Y GROUNDING INSIDE THE PCC BOX



G/Y GROUNDING ON A TYPICAL AIR MOVING DEVICE



TRANSFORMER GROUNDING METHOD



MECHANICAL REFERENCE OF COMPONENT GNDS		
EC 331496 01AUG83	PN 5665831	ZA024
EC 331498 15DEC83	2 OF 2	AA
EC 331499 01OCT84		